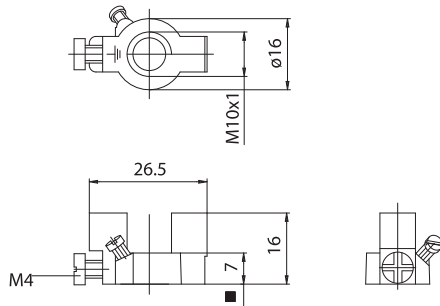


210



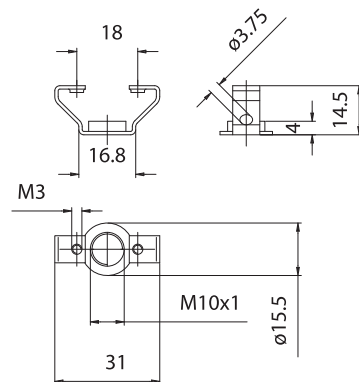
■ Thread depth

210: adapter, in white zinc-plated zamak, height 16 mm, with threaded hole M10 x1 and holes diameter 2,6 mm with center distance 18 mm to fix the lampholders, with screws for nipple-block and for the ground cable.
For lampholders: A40-, A42-, P03-, P05, P10 and P40.

- Weight: 15 g.

Note: thread-forming 2,9 x 13 mm screws, with star-slotted head, to fix the adapter to the lampholder (ref. art. 521).
(for P40 screws 2,9 x 16 mm - ref. art. 522).

219



219: adapter, in zinc-plated iron, height 14,5 mm, with threaded hole M10 x1 and holes M3 with center distance 18 mm to fix the lampholders.
For lampholders: A40-, A42-, P03-, P05, P10 and P40.

- Weight: 8 g.

Note: M3 screws, to fix the adapter to the lampholders.