

# LAMPHOLDER FOR INCANDESCENT HALOGEN LAMPS

## 615

## 617

Connector for lamps with base:

Rated voltage:  
Rated current:  
Connected cables  
del connettore:  
Connected cables  
working temperature:  
Working temperature  
of the cover:

**G53**

**24 V**

**10 A**

**T 180°C**

**T 90° ÷ 250°C**

**T 140°C**

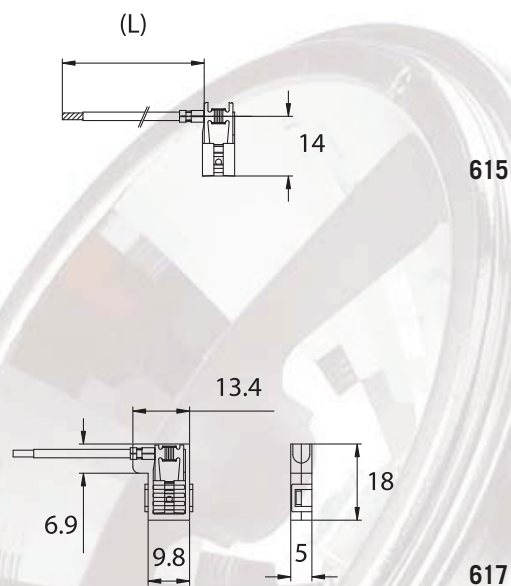


**615:** 90° female “faston” terminal 6,3 x 0,8 in tinned brass for lamellar connections.

**617:** 90° female “faston” terminal 6,3 x 0,8 in tinned brass for lamellar connections with insulating housing in PA6 V2 black.

Single-conductor flexible connecting cables crimped to the connector:

Insulation	T in °C	Conduct.	Available sections in mm <sup>2</sup>			
			0,50	0,75	1,00	1,50
Silicone <i>Single insulation</i>	180	CuSn		•	•	•
Silicone+glass-braid <i>Single insulation</i>	180	CuSn		•	•	•
FEP <i>Single insulation</i>	180	CuSn		•	•	•
PTFE <i>Single insulation</i>	180	CuSn		•	•	•
PTFE <i>Single insulation</i>	250	CuNi		•	•	•
PFA <i>Single insulation</i>	260	CuNi		•	•	•



**Current carrying capacity of cables:**  
- 8A for cables section 0,75 mm<sup>2</sup> or 18 AWG  
- 10A for cables section 1,50 mm<sup>2</sup>

