

FOR NET TENSION 110 - 250V

A01

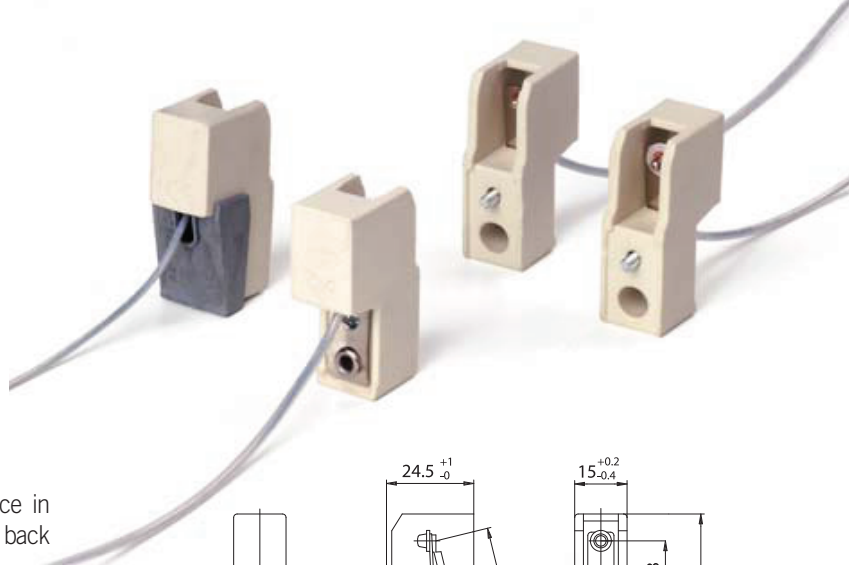
1984-1998



Lampholder:

Rated voltage:
Rated current:
Working temperature:
Connected cables
working temperature:
Overvoltage category:
Protection degree (IP):
In conformity to the standards:
In conformity to the requirements
of the directive:
Approval marks:

R7s
500 V
6 A
T 300°C
T 105°÷ 250°C
III
IP00
EN 60838-1
2014/35/EU
CQC

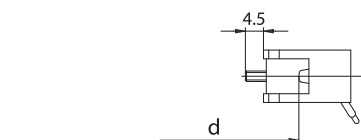
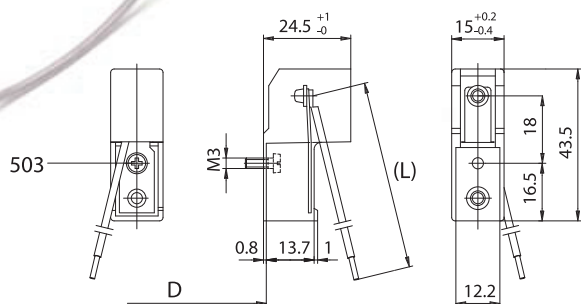


A01P: A01 lampholder equipped with protection device in LCP T250°C (T240°C for UL), which covers the back pressure springs.

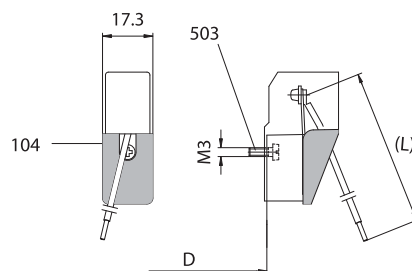
A01F: A01 lampholder with micarta plate positioned between the contacts and the pressure springs.

Single-conductor flexible connecting cables crimped to the lampholder:

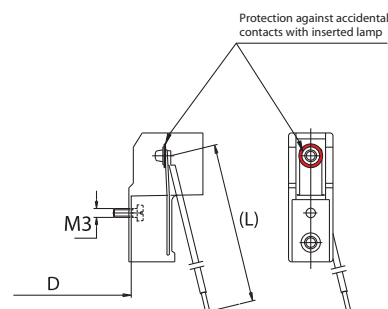
Insulation	T in °C	Conduct.	Available sections in mm ²			
			0,50	0,75	1,00	1,50
Silicone <i>Single insulation</i>	180	CuSn	•	•	•	•
Silicone+Silicone <i>Double insulation</i>	180	CuSn		•	•	•
Silicone+glass-braid <i>Single insulation</i>	180	CuSn	•	•	•	•
FEP <i>Single insulation</i>	180	CuSn	•	•	•	•
FEP+FEP <i>Double insulation</i>	180	CuSn	•	•	•	•
FEP+FEP+FEP <i>Triple insulation</i>	180	CuSn	•	•	•	•
PTFE <i>Single insulation</i>	180	CuSn	•	•	•	•
PTFE <i>Single insulation</i>	250	CuNi	•	•	•	•
PTFE+PTFE <i>Double insulation</i>	250	CuNi	•	•	•	•
PTFE+PFA <i>Double insulation</i>	250	CuNi		•	•	
PTFE+PFA+PFA <i>Triple insulation</i>	250	CuNi		•		
PFA <i>Single insulation</i>	260	CuNi	•	•	•	
PFA+PFA <i>Double insulation</i>	260	CuNi	•	•		



A01



A01P



A01F

• 503 - Self-threading screw M3 x 8 (other lengths on request)



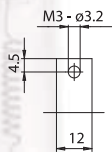
LAMPHOLDERS FOR INCANDESCENT HALOGEN LAMPS

Attention: the back side of this lampholder has uncovered parts under tension. During the project verify that the surface and air distance, prescribed by lighting fixtures construction standards, will be respected. Verify also the protection against accidental contacts.

Note: the version A01P, lampholder equipped with protection device in LCP, grants the protection against electrical shocks caused by accidental contacts with the back side of the lampholder.

A01F, lampholder with micarta plate positioned between the contacts and the pressure spring. The insulation plate grants the protection against the electric shock with the standardized IEC 529 test-finger in the contact area lamp-lampholder, with inserted lamp. PATENTED

- Steatite body.
Contacts in electrolytic copper and silver.
Pressure spring in nickel-plated, hardened and normalized, steel.
Self-threading fixing screws M3.
- Weight of the lampholders pair in standard execution (with cables L= 25 cm): 50 g.
- D: fixing distance of the lampholders pair on rigid structures:
 - 54,7 mm for lamps with R7s cap, with "Z nom." lamp 74,9 mm
 - 94,0 mm for lamps with R7s cap, with "Z nom." lamp 114,2 mm
- d: distance between contacts = D + 16,4 mm
- Indications to fix the lampholder on structures.



- Fixing of the lampholders pair by M3 self-threading screws inserted in the bodies. Standard screw M3 x 8 with cross head. Other lengths on request (minimum length for threaded supports: 6 mm).

A01



Lampholder:	R7s
Maximum power:	1500 W
Rated voltage:	250 V
Working temperature:	T 250°C
Connected cables	
working temperature:	T 105°÷ 250°C
In conformity to the standards:	UL 496 CSA 22.2 N.43
Approval marks:	cURus

Single-conductor flexible connecting cables, polarized black and white, crimped to the lampholder:

Insulation	T in °C	Conduct.	Available voltages and AWG		
			300V	600V	18AWG
Silicone Single insulation	200	CuSn		•	•
Silicone+glass-braid Single insulation	200	CuSn		•	•
FEP Single insulation	200	CuNi	•	•	•
FEP+FEP Double insulation	200	CuNi	•		•
PTFE Single insulation	250	CuNi	•	•	•
PTFE+PFA Double insulation	250	CuNi	•		•

