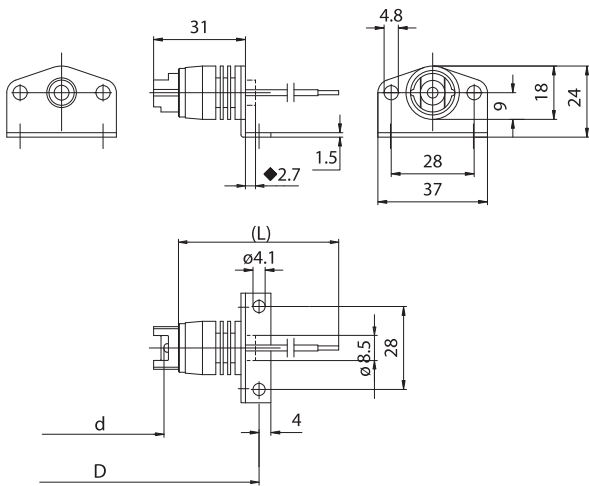


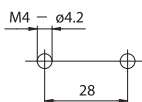
# A10B



◆ Maximum jut of the steatite body during lamp insertion

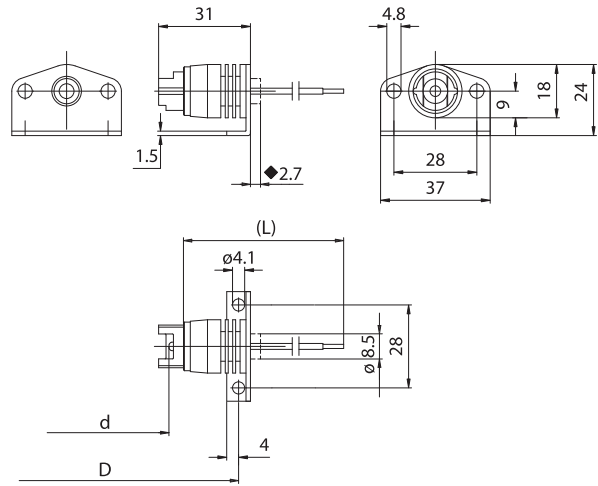
**A10B:** lampholder as A10 with nickel-plated fixing bracket turned towards the cables.

- D: fixing distance of the lampholders pairs on rigid structures:
  - 134,9 mm for lamps with R7s cap, with "Z nom." lamp 74,9 mm
  - 174,2 mm for lamps with cap R7s, with "Z nom." lamp 114,2 mm
- Weight of the lampholders pair in standard execution: 65 g.
- Indications to fix the lampholder on structures.



- Fixing of the lampholders pair by M4 screws to be inserted in holes with center distance 28 mm.

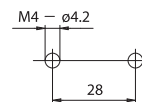
# A10C



◆ Maximum jut of the steatite body during lamp insertion

**A10C:** lampholder as A10 with nickel-plated fixing bracket turned towards the lamp.

- D: fixing distance of the lampholders pairs on rigid structures:
  - 113,7 for lamps with R7s cap, with "Z nom." lamp 74,9 mm
  - 173,2 mm for lamps with cap R7s, with "Z nom." lamp 114,2 mm
- Weight of the lampholders pair in standard execution: 65 g.
- Indications to fix the lampholder on structures.



- Fixing of the lampholders pair by M4 screws to be inserted in holes with center distance 28 mm.