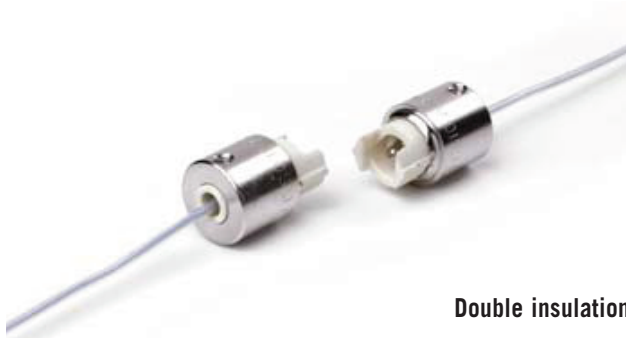
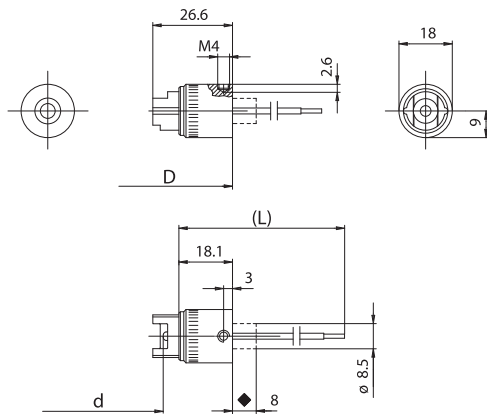


# A10F



Double insulation

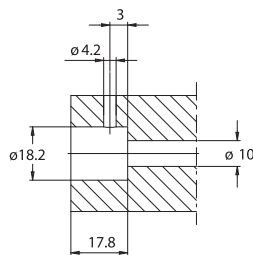


◆ Maximum jut of the steatite body during lamp insertion

**A10F:** lampholder as A10 with nickel-plated brass envelope with M4 lateral threading.

**A10FM:** version UR, with device that blocks the lampholder body connected to the line (see A10M).

- D: fixing distance of the lampholders pairs on rigid structures:
  - 117,0 mm for lamps with R7s cap, with "Z nom." lamp 74,9 mm
  - 156,3 mm for lamps with R7s cap, with "Z nom." lamp 114,2 mm
- Weight of the lampholders pair in standard execution: 45 g.
- Indications to fix the lampholder on structures.

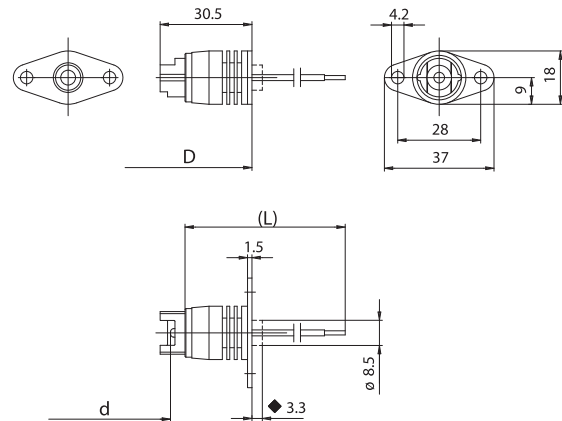


- Fixing system, of the lampholders pair, by insertion in cylindrical structures diameter 18,2 mm, in which the lampholders stability is granted screwing down M4 screws in fore-made threads of the envelope holes (see the drawing).

# A10A



Double insulation

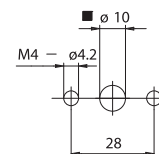


◆ Maximum jut of the steatite body during lamp insertion

**A10A:** lampholder as A10 with nickel-plated brass envelope with nickel-plated fixing plate.

**A10AM:** version UR, with device that blocks the lampholder body connected to the line (see A10M).

- D: fixing distance of the lampholders pairs on rigid structures:
  - 125,7 mm for lamps with R7s cap, with "Z nom." lamp 74,9 mm
  - 165,0 mm for lamps with R7s cap, with "Z nom." lamp 114,2 mm
- Indications to fix the lampholder on structures.



■ Insertion hole of the steatite body during lamp insertion

- Fixing of the lampholders pair by M4 screws to be inserted in holes with center distance 28 mm.