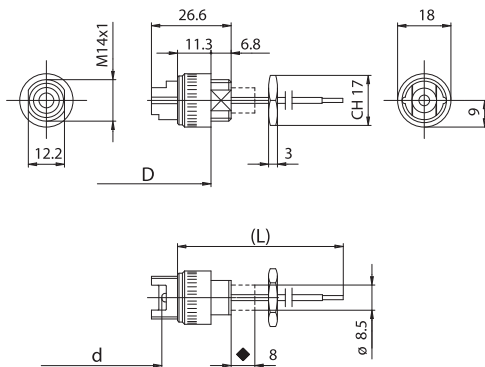


A10G



Double insulation



◆ Maximum jut of the steatite body during lamp insertion

A10G: lampholder as A10 with nickel-plated brass envelope diameter 18 mm with M14 x1 threading with two parallel millings, length 6 mm.

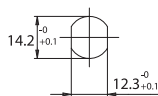
ATTENTION: the brass envelope, in its threaded part, has a double lateral milling that may cause the wrong assembling of the lampholders pairs.

A10GM: version UR, with device that blocks the lampholder body connected to the line (see A10M).

- D: fixing distance of the lampholders pairs on rigid structures:
 - 103,4 mm for lamps with R7s caps, with "Z nom." lamp 74,9 mm
 - 142,7 mm for lamps with R7s cap, with "Z nom." lamp 114,2 mm

• Weight of the lampholders pair in standard execution: 40 g.

• Indications to fix the lampholder on structures.

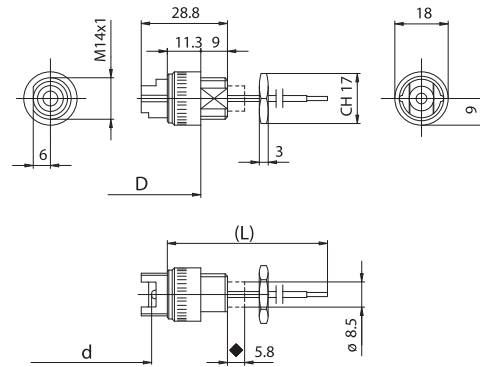


- Fixing of lampholders pair by thread M14 x1 on the lampholder external envelope. The standard supply includes the 17 mm hexagonal nuts in nickel-plated brass M14 x1.

A10L



Double insulation



◆ Maximum jut of the steatite body during lamp insertion

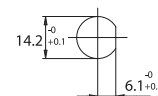
A10L: lampholder as A10 with nickel-plated brass envelope diameter 18 mm with M14 x1 threading, length 9 mm.

A10LM: version UR, with device that blocks the lampholder body connected to the line (see A10M).

- D: fixing distance of the lampholders pairs on rigid structures:
 - 103,4 mm for lamps with R7s caps, with "Z nom." lamp 74,9 mm
 - 142,7 mm for lamps with R7s cap, with "Z nom." lamp 114,2 mm

• Weight of the lampholders pair in standard execution: 40 g.

• Indications to fix the lampholder on structures.



- Fixing of lampholders pair by thread M14 x1 on the lampholder external envelope. The standard supply includes the 17 mm hexagonal nuts in nickel-plated brass M14 x1. The threaded part of the brass external envelope has a lateral milling, in order to avoid the wrong assembling of the lampholders pair.