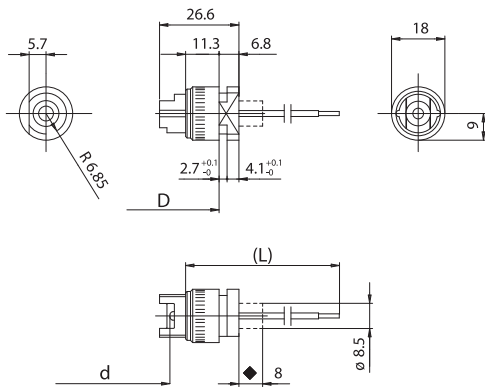


# A10T

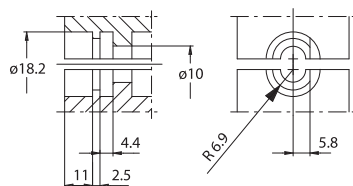


◆ Maximum jut of the steatite body during lamp insertion

**A10T:** lampholder as A10 with nickel-plated brass envelope with groove for coupling structures.

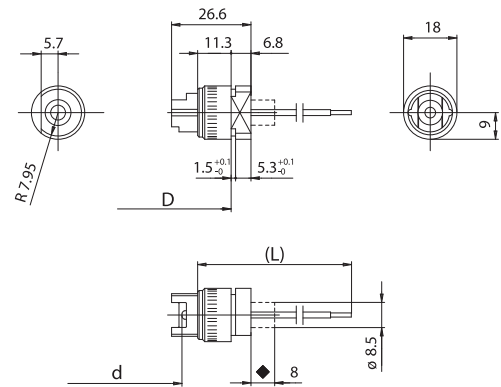
**A10TM:** version UR, with device that blocks the lampholder body connected to the line (see A10M).

- D: fixing distance of the lampholders pairs on rigid structures:
  - 103,4 mm for lamps with R7s cap, with "Z nom." lamp 74,9 mm
  - 142,7 mm for lamps with R7s cap, with "Z nom." lamp 114,2 mm
- Weight of the lampholders pair in standard execution: 40 g.
- Indications to fix the lampholder on structures.



- Fixing system of lampholders pair by coupling of two shells with opportune profiles, in such a way to avoid wrong assembling (see the drawing).

# A10P

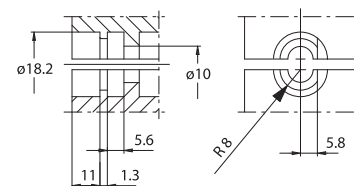


◆ Maximum jut of the steatite body during lamp insertion

**A10P:** lampholder as A10 with nickel-plated brass envelope with groove for coupling structures.

**A10PM:** version UR, with device that blocks the lampholder body connected to the line (see A10M).

- D: fixing distance of the lampholders pairs on rigid structures:
  - 103,4 mm for lamps with R7s cap, with "Z nom." lamp 74,9 mm
  - 142,7 mm for lamps with R7s cap, with "Z nom." lamp 114,2 mm
- Weight of the lampholders pair in standard execution: 40 g.
- Indications to fix the lampholder on structures.



- Fixing system of lampholders pair by coupling of two shells with opportune profiles, in such a way to avoid wrong assembling (see the drawing).