

A10Q



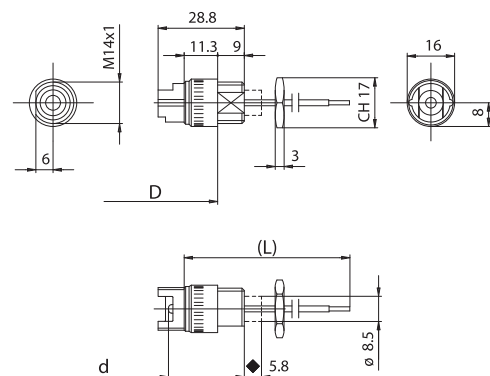
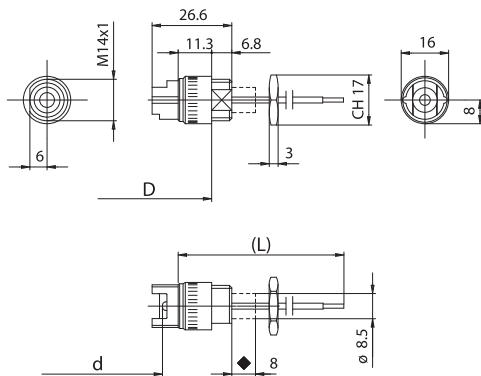
A10V



Double insulation



Double insulation



◆ Maximum jut of the steatite body during lamp insertion

◆ Maximum jut of the steatite body during lamp insertion

A10Q: lampholder as A10 with nickel-plated brass envelope diameter 16 mm, with M14 x1 thread, length 6 mm.

A10V: lampholder as A10 with nickel-plated brass envelope diameter 16 mm, with M14 x1 thread, length 9 mm.

A10QM: version UR, with device that blocks the lampholder body connected to the line (see A10M).

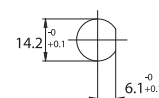
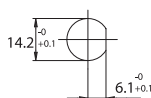
A10VM: version UR, with device that blocks the lampholder body connected to the line (see A10M).

- D: fixing distance of the lampholders pairs on rigid structures:
 - 103,4 mm for lamps with R7s cap, with "Z nom." lamp 74,9 mm
 - 142,7 mm for lamps with R7s cap, with "Z nom." lamp 114,2 mm

- D: fixing distance of the lampholders pairs on rigid structures:
 - 103,4 mm for lamps with R7s cap, with "Z nom." lamp 74,9 mm
 - 142,7 mm for lamps with R7s cap, with "Z nom." lamp 114,2 mm

- Weight of the lampholders pair in standard execution: 30 g.
- Indications to fix the lampholder on structures.

- Weight of the lampholders pair in standard execution: 30 g.
- Indications to fix the lampholder on structures.



- Fixing of lampholders pair by thread M14 x1 on the lampholder external envelope. The standard supply includes the 17 mm hexagonal nuts in nickel-plated brass M14 x1. The threaded part of the brass external envelope has a lateral milling, in order to avoid the wrong assembling of the lampholders pair.

- Fixing of lampholders pair by thread M14 x1 on the lampholder external envelope. The standard supply includes the 17 mm hexagonal nuts in nickel-plated brass M14 x1. The threaded part of the brass external envelope has a lateral milling, in order to avoid the wrong assembling of the lampholders pair.