

FOR NET TENSION 110 - 250V

A20

1984



Lampholder:

Rated voltage:
Rated current:
Working temperature:
Connected cables
working temperature:
Overvoltage category:
Protection degree (IP):
In conformity to the standards:
In conformity to the requirements
of the directive:

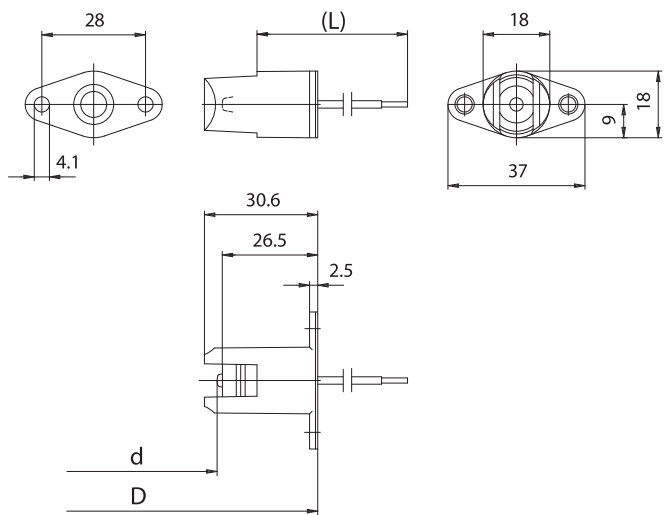
R7s
500 V
8 A
T 300°C
T 105°÷ 250°C
III
IP20
EN 60838-1
2014/35/EU

Approval marks:



Single-conductor flexible connecting cables
crimped to the lampholder:

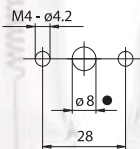
Insulation	T in °C	Conduct.	Available sections in mm ²			
			0,50	0,75	1,00	1,50
Silicone <i>Single insulation</i>	180	CuSn	•	•	•	•
Silicone+Silicone <i>Double insulation</i>	180	CuSn		•	•	•
Silicone+glass-braid <i>Single insulation</i>	180	CuSn	•	•	•	•
FEP <i>Single insulation</i>	180	CuSn	•	•	•	•
FEP+FEP <i>Double insulation</i>	180	CuSn	•	•	•	•
FEP+FEP+FEP <i>Triple insulation</i>	180	CuSn	•	•	•	•
PTFE <i>Single insulation</i>	180	CuSn	•	•	•	•
PTFE <i>Single insulation</i>	250	CuNi	•	•	•	•
PTFE+PTFE <i>Double insulation</i>	250	CuNi	•	•	•	
PTFE+PFA <i>Double insulation</i>	250	CuNi		•	•	
PTFE+PFA+PFA <i>Triple insulation</i>	250	CuNi		•		
PFA <i>Single insulation</i>	260	CuNi	•	•	•	
PFA+PFA <i>Double insulation</i>	260	CuNi	•	•		



LAMP HOLDERS FOR INCANDESCENT HALOGEN LAMPS

- **Current carrying capacity of cables:**
 - 6A for cables of section until 0,75 mm²
 - 8A for cables of section from 1,00 mm²

- Steatite body.
Aluminium envelope.
Contacts in special nickel-plated alloy.
Springs in normalized stainless steel.
Cable-guide bush in steatite.
- Weight of the lampholders pair in standard execution
(with cables L = 25 cm): 30 g.
- D: fixing distance of the lampholders pairs on rigid structures:
 - 125,7 mm for lamps with R7s cap with "Z nom." lamp
74,9 mm
 - 165,0 mm for lamps with R7s cap with "Z nom." lamp
114,2 mm
 - 236,5 mm for lamps with R7s cap, with "Z nom." lamp
185,7 mm
 - 301,5 mm for lamps with R7s cap, with "Z nom." lamp
250,7 mm
- d: distance between contacts = D - 53,4 mm
- Indications to fix the lampholder on structures.



- Hole for the cable passage

- Fixing of the lampholders pair by M4 screws to be inserted in the holes at center distance 28 mm.

