

# FOR NET TENSION 110 - 250V

## A22

1984



### Lampholder:

Rated voltage:  
 Rated current:  
 Working temperature:  
 Connected cables  
 working temperature:  
 Overvoltage category:  
 Protection degree (IP):  
 In conformity to the standards:  
 In conformity to the requirements  
 of the directive:

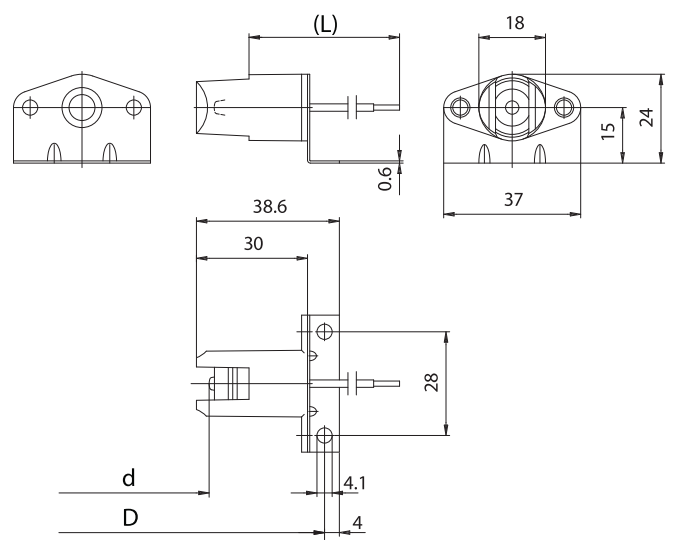
**R7s**  
  
**500 V**  
**8 A**  
**T 300°C**  
  
**T 105°÷ 250°C**  
**III**  
**IP20**  
**EN 60838-1**  
  
**2014/35/EU**

Approval marks:



Single-conductor flexible connecting cables  
 crimped to the lampholder:

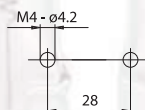
Insulation	T in °C	Conduct.	Available sections in mm <sup>2</sup>			
			0,50	0,75	1,00	1,50
Silicone <i>Single insulation</i>	180	CuSn	•	•	•	•
Silicone+Silicone <i>Double insulation</i>	180	CuSn		•	•	•
Silicone+glass-braid <i>Single insulation</i>	180	CuSn	•	•	•	•
FEP <i>Single insulation</i>	180	CuSn	•	•	•	•
FEP+FEP <i>Double insulation</i>	180	CuSn	•	•	•	•
FEP+FEP+FEP <i>Triple insulation</i>	180	CuSn	•	•	•	•
PTFE <i>Single insulation</i>	180	CuSn	•	•	•	•
PTFE <i>Single insulation</i>	250	CuNi	•	•	•	•
PTFE+PTFE <i>Double insulation</i>	250	CuNi	•	•	•	
PTFE+PFA <i>Double insulation</i>	250	CuNi		•	•	
PTFE+PFA+PFA <i>Triple insulation</i>	250	CuNi		•		
PFA <i>Single insulation</i>	260	CuNi	•	•	•	
PFA+PFA <i>Double insulation</i>	260	CuNi	•	•		



# LAMP HOLDERS FOR INCANDESCENT HALOGEN LAMPS

- **Current carrying capacity of cables:**
  - 6A for cables of section until 0,75 mm<sup>2</sup>
  - 8A for cables of section from 1,00 mm<sup>2</sup>

- Steatite body.  
Aluminium envelope.  
Contacts in special nickel-plated alloy.  
Springs in normalized stainless steel.  
Cable-guide bush in steatite.  
Fixing bracket in zinc-plated iron.
- Weight of the lampholders pair in standard execution  
(with cables L= 25 cm): 30 g.
- D: fixing distance of the lampholders pairs on rigid structures:
  - 132,7 mm for lamps with R7s cap with "Z nom." lamp  
74,9 mm
  - 172,0 mm for lamps with R7s cap with "Z nom." lamp  
114,2 mm
  - 243,5 mm for lamps with R7s cap, with "Z nom." lamp  
185,7 mm
  - 308,5 mm for lamps with R7s cap, with "Z nom." lamp  
250,7 mm
- d: distance between contacts = D - 60,4 mm
- Indications to fix the lampholder on structures.



- Fixing of the lampholders pair by M4 screws to be inserted in the holes at center distance 28 mm.

