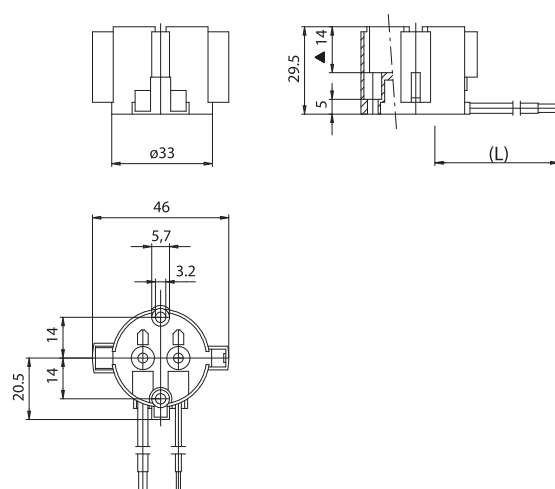
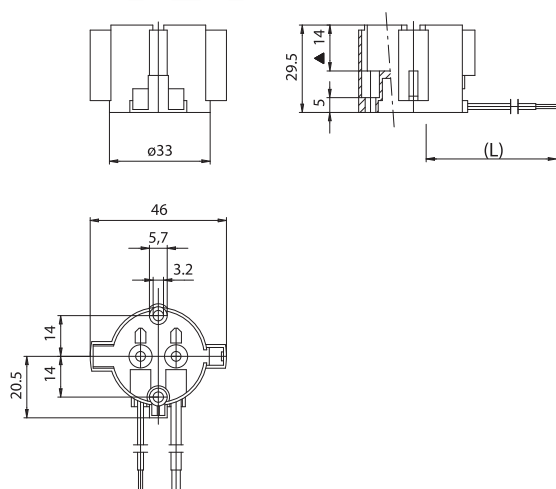


# A30D



# A30E



▲ Reference plane

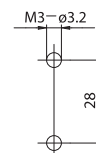
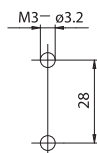
▲ Reference plane

**A30D:** lampholder as A30 with PGX12-1 cap.

**A30E:** lampholder as A30 with PGX12-2 cap.

- Weight of the lampholder in standard execution: 25 g.
- Instructions to fix the lampholder on structures.

- Weight of the lampholder in standard execution: 25 g.
- Instructions to fix the lampholder on structures.



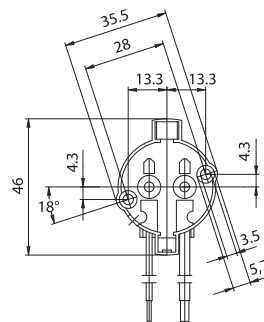
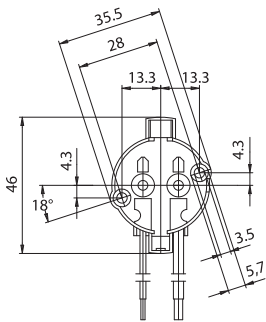
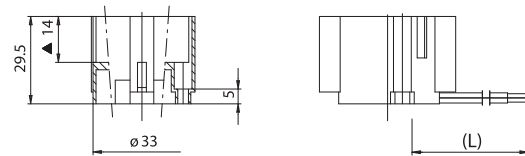
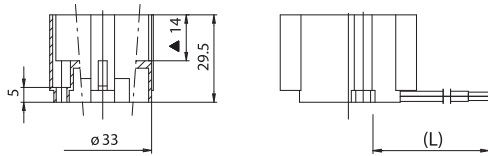
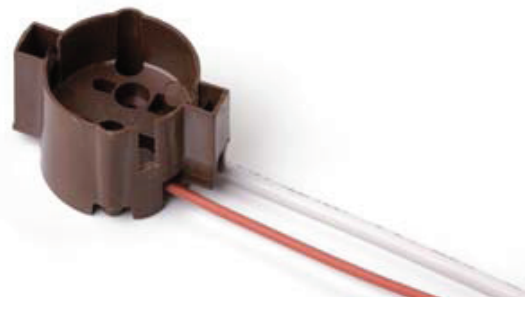
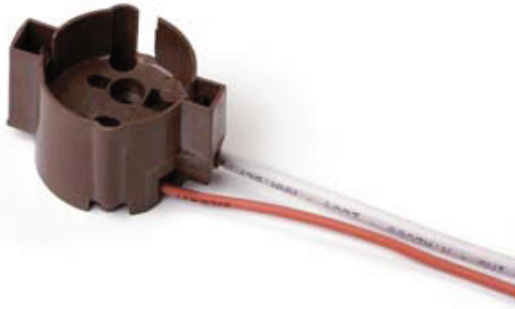
- Fixing of the lampholders pair by M3 screws, maximum head diameter 5,6 mm, to be inserted in the fixing holes with center distance 28 mm.

- Fixing of the lampholders pair by M3 screws, maximum head diameter 5,6 mm, to be inserted in the fixing holes with center distance 28 mm.

# A30B



# A30C



▲ Reference plane

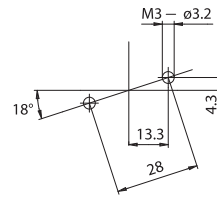
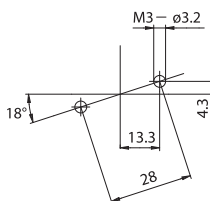
▲ Reference plane

**A30B:** lampholder as A30 with PG12-2 cap.

- Weight of the lampholder in standard execution: 25 g.
- Instructions to fix the lampholder on structures.

**A30C:** lampholder as A30 with PG12-3 cap.

- Weight of the lampholder in standard execution: 25 g.
- Instructions to fix the lampholder on structures.



- Fixing of the lampholders pair by M3 screws, maximum head diameter 5,6 mm, to be inserted in the fixing holes with center distance 28 mm.

- Fixing of the lampholders pair by M3 screws, maximum head diameter 5,6 mm, to be inserted in the fixing holes with center distance 28 mm.

# A30

1989



**Lampholder:**

**PG12-1**

Rated voltage: **500 V**  
 Impulse voltage: **5 kV**  
 Rated current: **2 A**  
 Working temperature: **T 210°C**  
 Connected cables working temperature: **T 105°÷ 250°C**  
 Overvoltage category: **III**  
 Protection degree (IP): **IP20**  
 In conformity to the standards: **EN 60838-1**  
 In conformity to the requirements of the directive: **2014/35/EU**

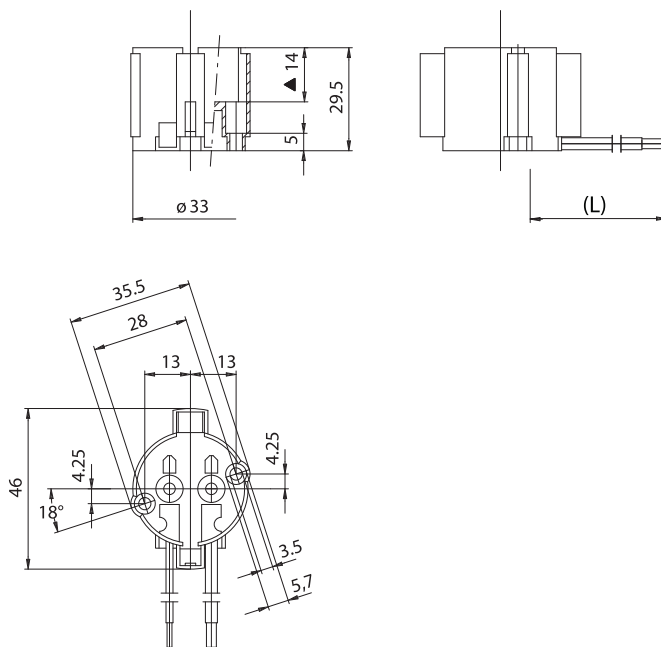
Approval marks:



Single-conductor, flexible connecting cables crimped to the lampholder:

Insulation	T in °C	Conduct.	Available sections and tensions			
			Pulse kV	0,75 mm <sup>2</sup>	1,00 mm <sup>2</sup>	1,50 mm <sup>2</sup>
Oversize silicone <i>Single insulation</i>	180	CuSn	10kV		•	
Oversize silicone <i>Single insulation</i>	180	CuSn	5kV	•	•	
Silicone+Silicone <i>Single insulation</i>	180	CuSn	5kV	•	•	
Oversize PTFE <i>Single insulation</i>	250	CuNi	5kV		•	
Oversize PTFE +PFA <i>Double insulation</i>	250	CuNi	5kV		•	

On customer's request, the cable not subjected to the lamp starter voltage, can be supplied with basic insulation.



▲ Reference plane



# LAMPHOLDERS FOR DISCHARGE LAMPS

## A30



- Black PPS body.  
Contacts in nickel-plated phosphorous bronze.  
Lamp retaining springs in stainless steel.
- Weight of the lampholder in standard execution (with cables L = 25 cm): 25 g.

- Instructions to fix the lampholder on structures.

- Fixing of the lampholders pair by M3 screws, maximum head diameter 5,6 mm, to be inserted in the fixing holes with center distance 28 mm.

### Lampholder:

**PG12-1**

Maximum power:

**660 W**

Rated voltage:

**600 V**

Impulse voltage:

**5 kV**

Working temperature:

**T 200°C**

Connected cables

working temperature:

**T 105° ÷ 250°C**

In conformity to the standards:

**UL 496**

**CSA 22.2 N.43**

Approval marks:

**cURus**

Single-conductor flexible connecting cables, polarized black and white, crimped to the lampholder:

Insulation	T in °C	Conduct.	Available voltages and AWG	
			600V	18AWG
Silicone <i>Single insulation</i>	200	CuSn	•	•
Silicone+glass-braid <i>Single insulation</i>	200	CuSn	•	•
PTFE <i>Single insulation</i>	250	CuNi	•	•
PTFE+PFA <i>Double insulation</i>	250	CuNi	•	•

Attention: in the end product the cables connected to this lampholder should not be accessible during the normal replacement operations of the lamp (if accessible a cord-grip device should be provided).

