

LAMP HOLDERS FOR INCANDESCENT HALOGEN LAMPS

A40-



Lampholder whose creepage and clearance distances allow the use in class II fixtures with working voltage up to 250V, if connected with double or triple insulated cables (ref. standard EN 60598.1).

- Steatite body.
Contacts in special alloy.
Sprigs in normalized stainless steel.
- Weight of the lampholder in standard execution (with cables L = 25 cm): 15 g.

Lampholder:

Rated voltage:
Rated current:
Working temperature:
Connected cables
working temperature:
In conformity to the standards:

GZ10 (art. A40) for lamp with dichroic reflector
GU10 (art. A40B) for lamp with aluminium reflector

250 V
2 A
T 250°C
T 105° ÷ 250°C
UL 496
CSA 22.2 N.43 (for A40B)

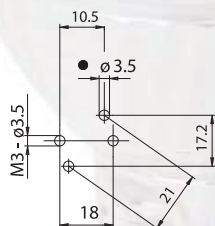
Approval marks:

cURus

Single-conductor flexible connecting cables crimped to the lampholder:

Insulation	T in °C	Conduct.	Available voltages and AWG		
			300V	600V	18AWG
Silicone <i>Single insulation</i>	200	CuSn		•	•
Silicone+glass-braid <i>Single insulation</i>	200	CuSn		•	•
FEP <i>Single insulation</i>	200	CuNi	•	•	•
FEP+FEP <i>Double insulation</i>	200	CuNi	•		•
PTFE <i>Single insulation</i>	250	CuNi	•	•	•
PTFE+PFA <i>Double insulation</i>	250	CuNi	•		•

- Indications to fix the lampholder on structures.



- Suggested minimum dimension for cables passage (if necessary)

- Fixing of the lampholder using the holes diameter 3,6 mm at center distance 18 mm (if M3 screws are used, the head diameter should be less than 5,0 mm).



FOR NET TENSION 110 - 250V

A40-

1997



Lampholder:

GZ10 (art. A40) for lamp with dichroic reflector
GU10 (art. A40B) for lamp with aluminium reflector

Rated voltage:
 Rated current:
 Working temperature:
 Connected cables working temperature:
 Overvoltage category:
 Protection degree (IP):
 In conformity to the standards:
 In conformity to the requirements of the directive:

250 V
2 A
T 300°C

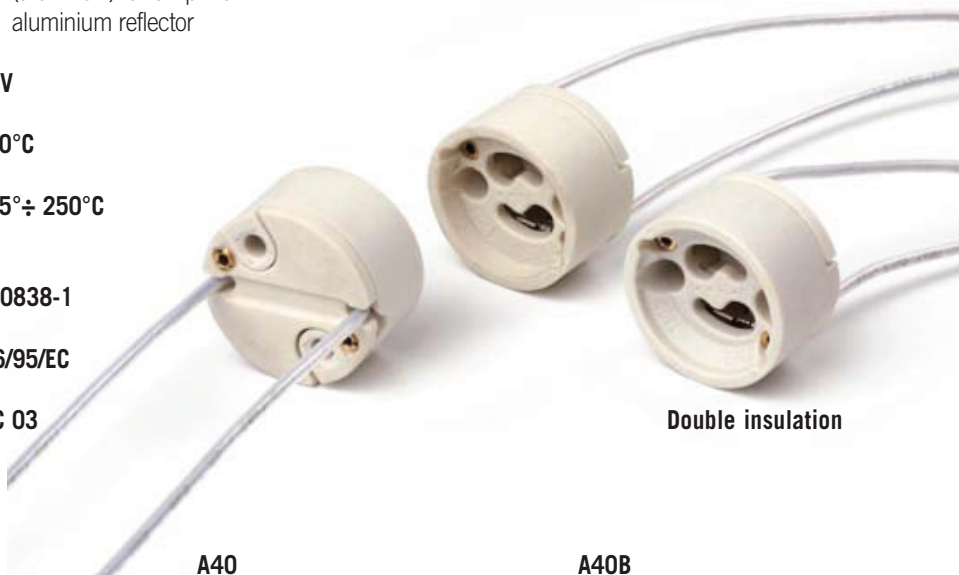
T 105° ÷ 250°C
III
IP20
EN 60838-1

2006/95/EC

Approval marks:

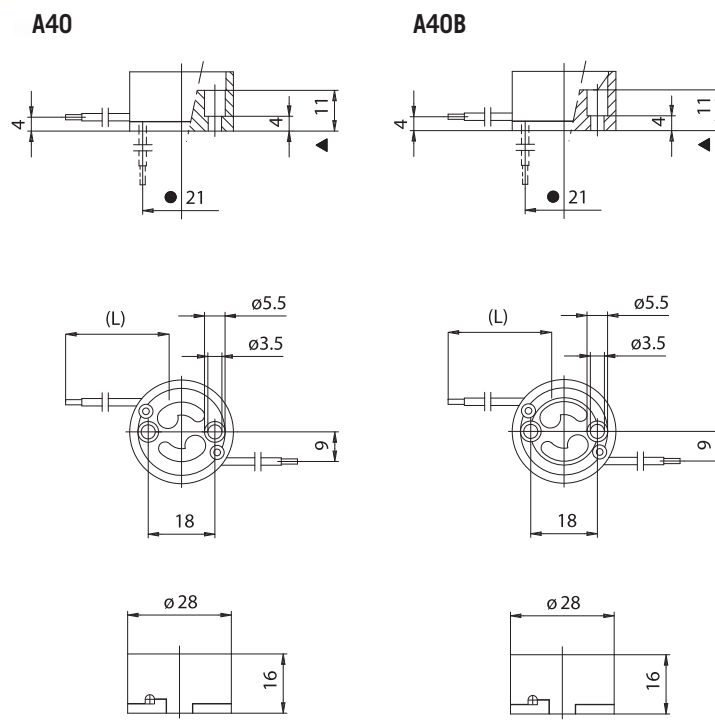
ENEC 03
CQC

A40: lampholder GZ10
A40B: lampholder GU10



Single-conductor flexible connecting cables crimped to the lampholder:

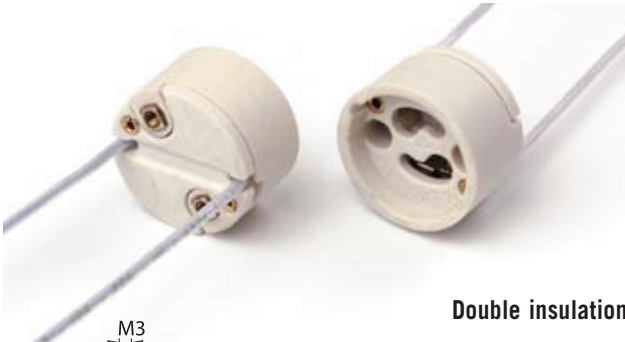
Insulation	T in °C	Conduct.	Available sections in mm ²			
			0,50	0,75	1,00	1,50
Silicone <i>Single insulation</i>	180	CuSn	•	•	•	
Silicone+glass-braid <i>Single insulation</i>	180	CuSn	•	•		
FEP <i>Single insulation</i>	180	CuSn	•	•	•	
FEP+FEP <i>Double insulation</i>	180	CuSn	•	•		
FEP+FEP+FEP <i>Triple insulation</i>	180	CuSn	•			
PTFE <i>Single insulation</i>	180	CuSn	•	•	•	
PTFE <i>Single insulation</i>	250	CuNi	•	•	•	
PTFE+PTFE <i>Double insulation</i>	250	CuNi	•	•		
PTFE+PFA <i>Double insulation</i>	250	CuNi		•		
PTFE+PFA+PFA <i>Triple insulation</i>	250	CuNi		•		
PFA <i>Single insulation</i>	260	CuNi	•	•	•	
PFA+PFA <i>Double insulation</i>	260	CuNi	•	•		



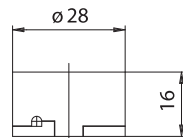
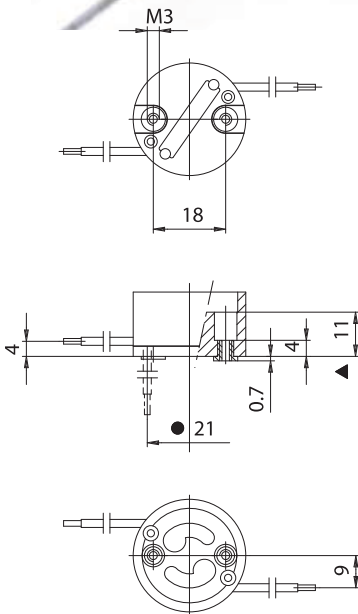
▲ Reference plane
 ● Suggested minimum dimension for cables passage (if necessary)



A40-F



Double insulation



▲ Reference plane

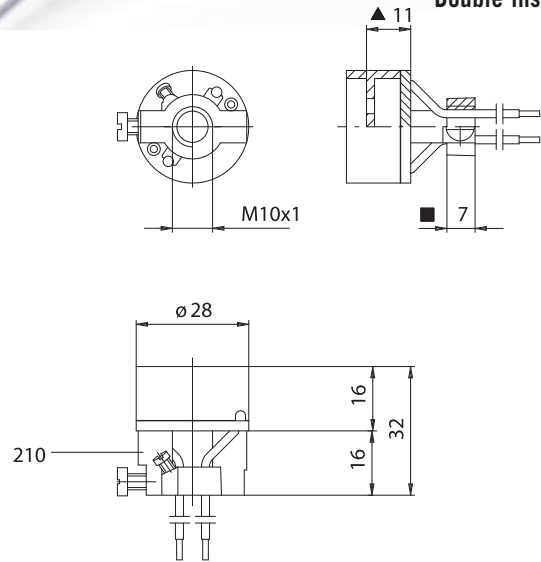
A40-F: lampholder A40 - A40B assembled with M3 threaded bushes inserted in the fixing holes at 18 mm center distance (useful for the easy back-fixing of the piece).

- Weight of the lampholder in standard execution: 15 g.
- Indications to fix the lampholder on structures.

A40-H



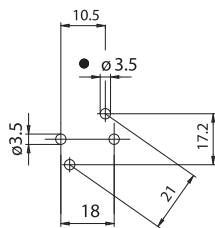
Double insulation



▲ Reference plane ■ Thread depth

A40-H: lampholder A40 - A40B assembled with adapter in white zinc-plated zamak 16 mm high, with threaded hole M10 X1, with screws for nipple-block and ground cable (art. 210).

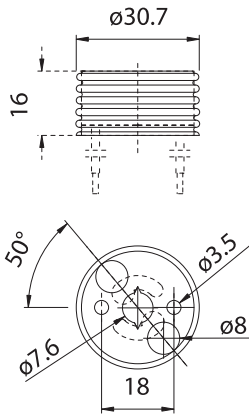
- Weight of the lampholder in standard execution: 35 g.



● Suggested minimum dimension for cables passage (if necessary)

- Fixing of the lampholder by M10 x1 nipples.

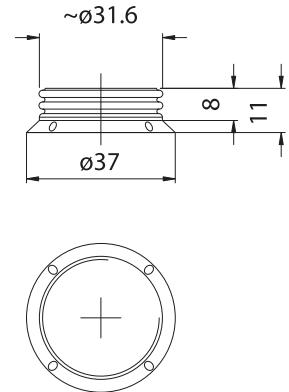
435/16



435/16: case, white zinc-plated iron, with round thread, external diameter 30,7 mm, height 16 mm.

- Weight: 10 g.

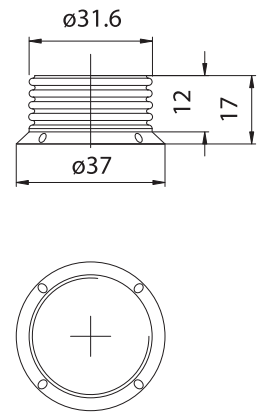
435F/11



435F/11: ring-nut, in white zinc-plated iron, with round thread, external diameter 31,6 mm, height 11 mm, for case 435-.

- Weight: 2,2 g.

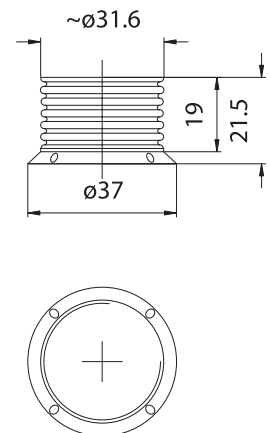
435F/15



435F/15: ring-nut, in white zinc-plated iron, with thread, external diameter 31,6 mm, height 15 mm, for case 435-.

- Weight: 2,2 g.

435F/22



435F/22: ring-nut, in white zinc-plated iron, with round thread, external diameter 31,6 mm, height 22 mm, for case 435-.

- Weight: 2,3 g.