

A42C- 2004**Lampholder:**

Rated voltage:
 Impulse voltage:
 Rated current:
 Working temperature:
 Type of clamps to
 connect the cables:

GX10

500 V
5 kV
2 A
T 260°C

SPRING CLAMPS
(push-in insertion)

Clamps connecting
 capacity:

0,75 - 1,00 mm

Overvoltage category:
 Protection degree (IP):

III
IP20

In conformity to the standards:
 In conformity to the requirements
 of the directive:

EN 60838-1**2014/35/EU**

Approval marks:

CQC**Double insulation**

A42CB: version of the lampholder A42 with back central exit of the cables and aesthetical cover in sand-blasted and anodized aluminium (for the cover ref. art. 496/42B).

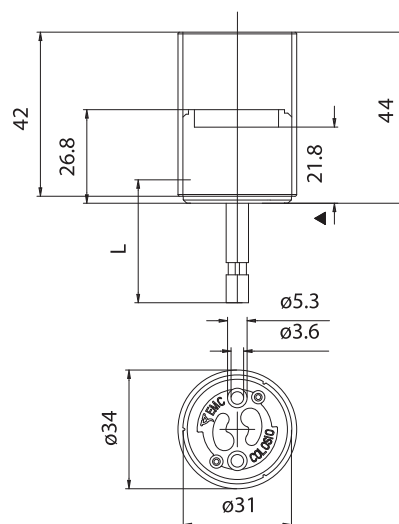
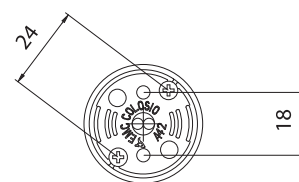
A42LCB: version of the lampholder A42 with lateral exit of the cables and aesthetical cover in sand-blasted and anodized aluminium (for the cover ref. art. 496L/42B).

A42CG: version of the lampholder A42 with back central exit of the cables and aesthetical cover in raw aluminium (for the cover ref. art. 496/42G).

A42LCG: version of the lampholder A42 with lateral exit of the cables and aesthetical cover in raw aluminium (for the cover ref. art. 496L/42G).

Single-conductor flexible connecting cables which could be connected to the lampholder (arranged with crimped end-terminals):

Insulation	T in °C	Conduct.	Available sections and tensions			
			Pulse kV	0,75 mm ²	1,00 mm ²	1,50 mm ²
Silicone+Silicone <i>Single insulation</i>	180	CuSn	5kV	•	•	
Oversize silicone <i>Single insulation</i>	180	CuSn	5kV	•	•	
Oversize PTFE <i>Single insulation</i>	250	CuNi	5kV		•	
Oversize PTFE+PFA <i>Double insulation</i>	250	CuNi	5kV		•	



▲ Reference plane



LAMPHOLDERS FOR DISCHARGE LAMPS

Lampholder whose creepage and clearance distances allow the use in class II fixtures with pulse peak voltage up to 4,5kV,
 - or with working voltage up to 500V in applications foreseen for the overvoltage category II,
 - or with working voltage up to 250V in applications foreseen for the overvoltage category III,
 if connected with double or triple insulated cables (ref. standard EN 60598.1).

NOTE 1: back cable-clamp cover to be assembled after having inserted the cables in double insulation, which can exit from the back side or lateral side of the lampholder (ref. standard EN 60598.1 par. 5.2.10.3 "pull test 60 N" and "torsion test 0,15 Nm").

NOTE 2: lampholder suitable for the external in lighting fixtures according to the paragraph 4.13.1 "mechanical resistance" of standard EN 60598.1.

In some applications, it is necessary to guarantee the fastening of the cable-clamps cover by two 3 x 9,5 thread-forming screws for plastic, to be inserted in the holes with center distance 24 mm (ref. art. 652).

Attention: consider 2 cm of cables loss in lampholder with cables exit from the back side; consider 3 cm of cables loss in lampholder with cables exit from the lateral side.

Note: on request, it is also possible to supply the lampholder with already inserted cables (ref. A42C- with back side exit, ref. A42LC- with lateral side exit).

- Steatite body.
 External envelope in black LCP (grey on request).
 Contacts in special silver-plated alloy.
 Push-in clamps built in the contacts.
 Cables exit from the back side or lateral side.
Built in cable-clamp device.
Aesthetical cover in raw or sand-blasted and anodized aluminium.

- Glow wire 960° C

- Weight: 38 g.

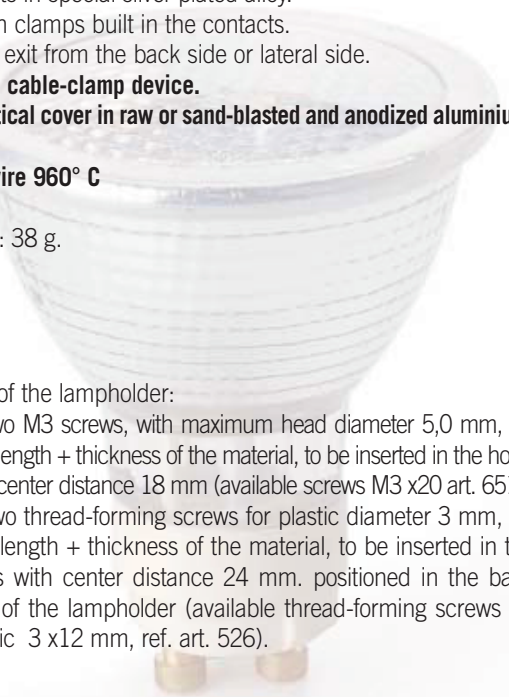
- Fixing of the lampholder:
 - by two M3 screws, with maximum head diameter 5,0 mm, 16 mm length + thickness of the material, to be inserted in the holes with center distance 18 mm (available screws M3 x20 art. 651).
 - by two thread-forming screws for plastic diameter 3 mm, 10 mm length + thickness of the material, to be inserted in the holes with center distance 24 mm. positioned in the back side of the lampholder (available thread-forming screws for plastic 3 x12 mm, ref. art. 526).



A42C-



Lampholder:	GX10
Rated voltage:	500 V
Rated current:	2 A
Impulse voltage:	5 kV
Working temperature:	T 240°C
Type of clamps to connect the cables:	SPRING CLAMPS (push-in insertion)
Clamps connecting capacity:	18 AWG
In conformity to the standards:	UL 496 CSA 22.2 N.43
Approval marks:	cURus



Single-conductor flexible connecting cables which could be connected to the lampholder (arranged with crimped end-terminals):

Insulation	T in °C	Conduct.	Available voltages and AWG	
			600V	18AWG
Silicone <i>Single insulation</i>	200	CuSn	•	•
Silicone+glass-braid <i>Single insulation</i>	200	CuSn	•	•
PTFE <i>Single insulation</i>	250	CuNi	•	•
PTFE+PFA <i>Double insulation</i>	250	CuNi	•	•