

# LAMPHOLDERS FOR DISCHARGE LAMPS

## A70



*Lampholder whose creepage and clearance distances allow the use in class II fixtures with pulse peak voltage up to 2,5kV, - or with working voltage up to 300V in applications foreseen for the overvoltage category II, - or with working voltage up to 250V in applications foreseen for the overvoltage category III, if connected with double or triple insulated cables (ref. standard EN 60598.1).*

*Solid fixing steel structure, independent from the body, which allows to carry out quick and safe fixing of the lampholder. This solves the problem of the easy breaking, during the fixing process, of the existing lampholders.*

- Steatite body (not produced in Europe).  
External envelope in black LCP.  
Contacts in special silver-plated alloy.
- **Glow wire 960° C**
- Weight of the lampholder in standard execution (with cables L = 25 cm): 11 g.

- Instructions to fix the lampholder on structures: snap-in fixing on the support bracket inserted in the accessories presented in the following pages.



### PATENTED

<b>Lampholder:</b>	<b>PGJ5</b>
Rated voltage:	<b>500 V</b>
Rated current:	<b>2 A</b>
Impulse voltage:	<b>2,5 kV</b>
Working temperature:	<b>T 240°C</b>
Connected cables working temperature:	<b>T 105° ÷ 250°C</b>
In conformity to the standards:	<b>UL 496 CSA 22.2 N.43</b>
Approval marks:	<b>cURus</b>

Single-conductor, flexible cables connected to the lampholder:

Insulation	T in °C	Conduct.	Available voltages and AWG		
			300V	600V	18AWG
Silicone <i>Single insulation</i>	200	CuSn		•	•
PTFE <i>Single insulation</i>	250	CuNi		•	•
PTFE+PFA <i>Double insulation</i>	250	CuNi		•	•

Attention: in the end product the cables connected to this lampholder should not be accessible during the normal replacement operations of the lamp (if accessible a cord-grip device should be provided).



# A70

2004



## PATENTED

### Lampholder:

PGJ5

Rated voltage:

500 V

Impulse voltage:

2,5 kV

Rated current:

2 A

Working temperature:

T 260°C

Connected cables

working temperature:

T 105°÷ 250°C

Overvoltage category:

III

Protection degree (IP):

IP20

In conformity to the standards:

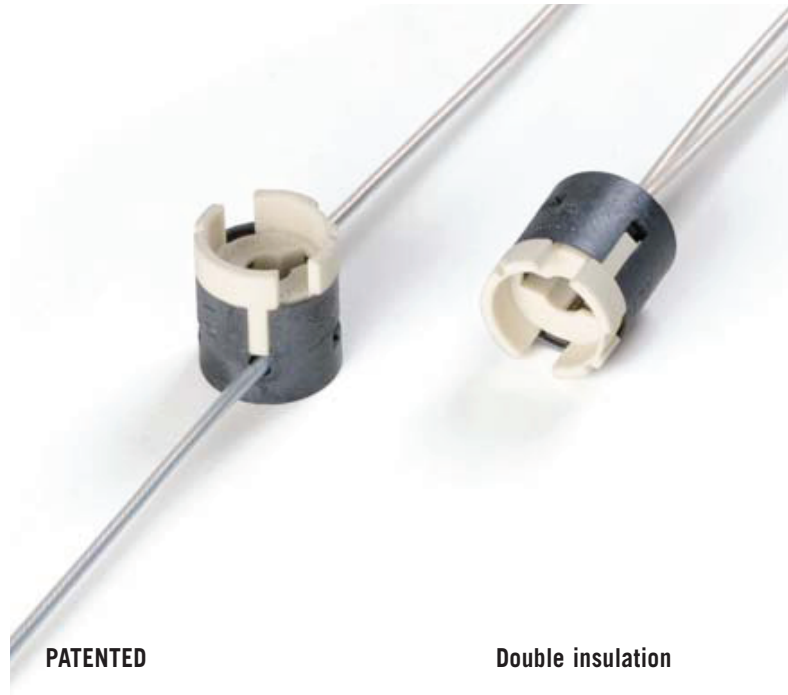
EN 60838-1

In conformity to the requirements of the directive:

2014/35/EU

Approval marks:

CQC



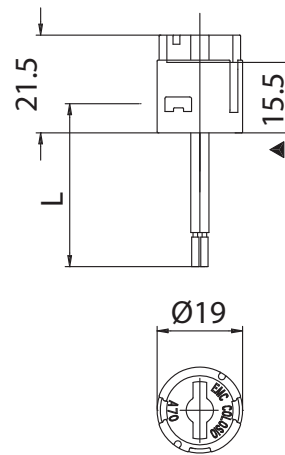
PATENTED

Double insulation

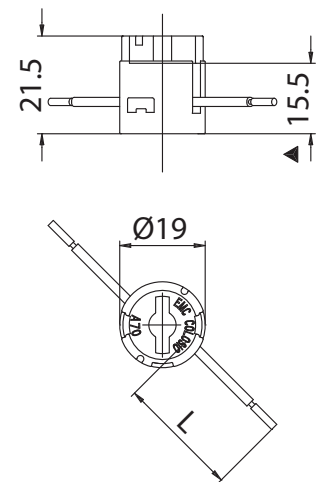
Single-conductor, flexible connecting cables crimped to the lampholder:

Insulation	T in °C	Conduct.	Available sections and tensions			
			0,50 mm <sup>2</sup>	0,75 mm <sup>2</sup>	1,00 mm <sup>2</sup>	1,50 mm <sup>2</sup>
Silicone <i>Single insulation</i>	180	CuSn	•	•		
Silicone+glass-braid <i>Single insulation</i>	180	CuSn	•	•		
PTFE <i>Single insulation</i>	180	CuSn	•	•	•	
PTFE <i>Single insulation</i>	250	CuNi	•	•	•	
PTFE+PTFE <i>Double insulation</i>	250	CuNi	•	•	•	
PTFE+PFA <i>Double insulation</i>	250	CuNi		•	•	
PTFE+PFA+PFA <i>Triplo isolamento</i>	250	CuNi		•		

A70



A70L

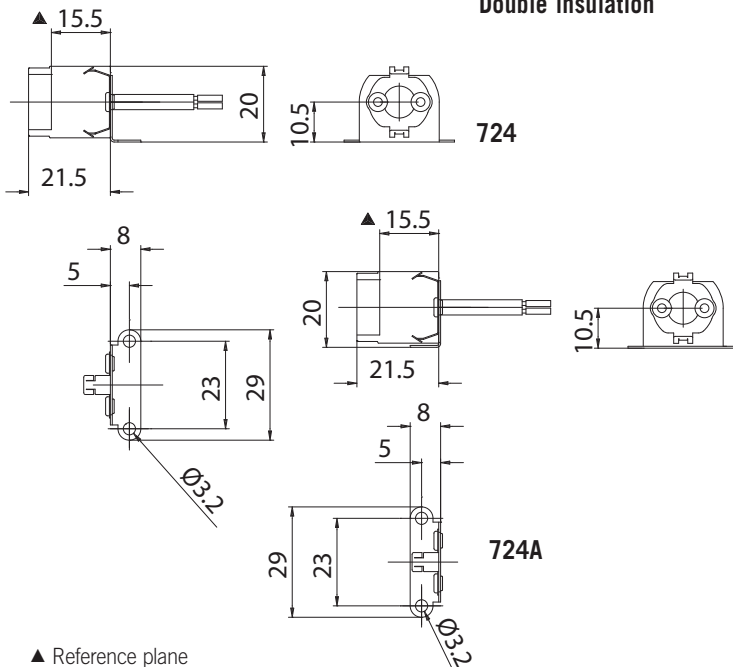


▲ Reference plane

# 724-



Double insulation

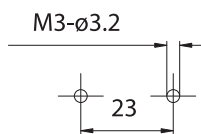


▲ Reference plane

**724:** 90° bracket, for lampholders A70-, in nickel-plated iron, with fixing holes diameter 3,2 mm, with 23 mm center distance, turned towards the cables.

**724A:** 90° bracket, in nickel-plated iron, with fixing holes diameter 3,2 mm with 23 mm center distance, turned towards the lampholder.

- Weight: 3 g.
- Instructions to fix the lampholder on structures.

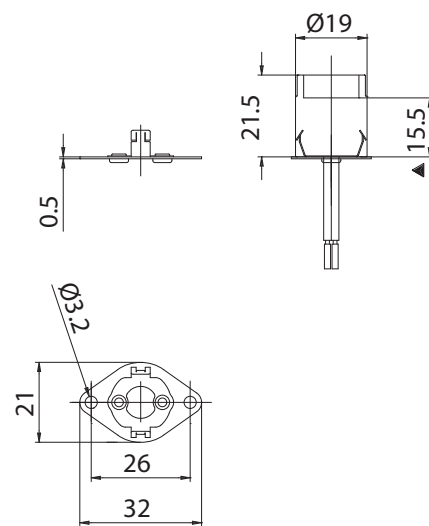


- Bracket fixing by holes diameter 3,2 mm with center distance 23 mm.
- Snap-in fixing to the lampholders.

# 725



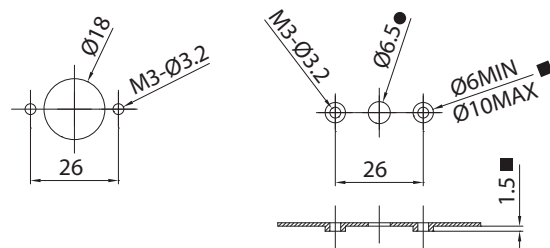
Double insulation



▲ Reference plane

**725:** plate bracket, for lampholders A70-, in nickel-plated iron, with fixing holes diameter 3,2 mm with center distance 26 mm.

- Weight: 2 g.
- Instructions to fix the lampholder on structures.



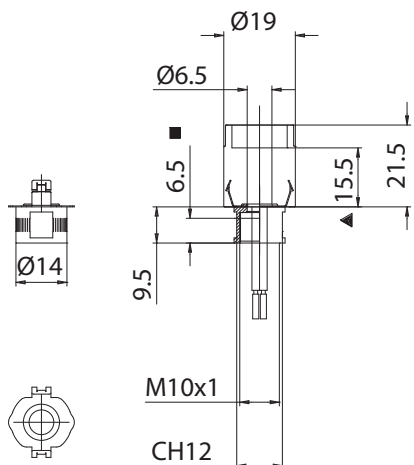
Suggested minimum dimension (if necessary)  
● for cables passage ■ for fixing columns

- Bracket fixing by holes diameter 3,2 mm with center distance 26 mm.
- Snap-in fixing to the lampholders.

# 720



Double insulation



▲ Reference plane ■ Thread depth

**720:** female nipple, for lampholders A70-, in nickel-plated brass, with threaded hole M10 x1.

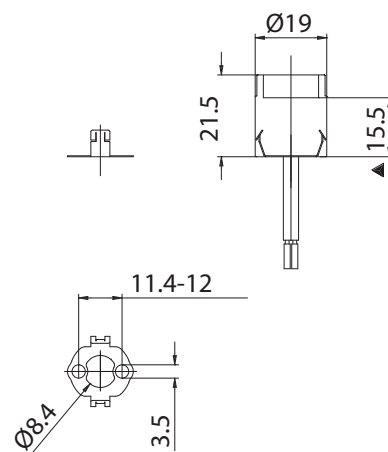
- Weight: 7 g.

- Fixing of the adapter by threaded nipples.
- Snap-in fixing to the lampholders.

# 719



Double insulation

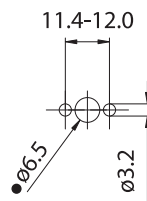


▲ Reference plane

**719:** support bracket, for lampholders A70-, in steel, with fixing slotted holes diameter 3,5 mm with center distance 11,4 ÷ 12,0 mm.

Available screws M3 x 8 mm with rounded hexagonal head, diameter 5,7 mm, key 2 mm, in white zinc-plated steel (art. 536).

- Weight: 0,5 g.
- Instructions to fix the lampholder on structures.



● Suggested minimum dimension for cables passage (if necessary)

- Bracket fixing by holes diameter 3,2 mm with center distance 11,4 ÷ 12,0 mm.
- Snap-in fixing to the lampholders.