

# LAMPHOLDERS FOR DISCHARGE LAMPS

## A76



*Lampholder whose creepage and clearance distances allow the use in class II fixtures with pulse peak voltage up to 4,5kV,  
- or with working voltage up to 300V in applications foreseen for the overvoltage category II,  
- or with working voltage up to 250V in applications foreseen for the overvoltage category III,  
if connected with double or triple insulated cables (ref. standard EN 60598.1).*

*Solid fixing steel structure, independent from the body, which allows to carry out quick and safe fixing of the lampholder. This solves the problem of the easy breaking, during the fixing process, of the existing lampholders.*

- Black LCP body.  
External envelope in black LCP.  
Contacts in special silver-plated alloy.

- **Glow wire 960° C**

- Weight of the lampholder in standard execution (with cables L = 25 cm): 11 g.



- Instructions to fix the lampholder on structures: snap-in fixing on the support bracket inserted in the accessories presented in the following pages.

<b>Lampholder:</b>	<b>GU6.5</b>
Rated voltage:	<b>500 V</b>
Rated current:	<b>2 A</b>
Impulse voltage:	<b>5 kV</b>
Working temperature:	<b>T 240°C</b>
Connected cables working temperature:	<b>T 105° ÷ 250°C</b>
In conformity to the standards:	<b>UL 496 CSA 22.2 N.43</b>
Approval marks:	<b>cURus</b>

- **Note: recommended maximum power 20W.**

Single-conductor, flexible connecting cables crimped to the lampholder:

Insulation	T in °C	Conduct.	Available voltages and AWG	
			600V	18AWG
Silicone <i>Single insulation</i>	200	CuSn	•	•
Silicone+glass-braid <i>Single insulation</i>	200	CuSn	•	•
PTFE <i>Single insulation</i>	250	CuNi	•	•
PTFE+PFA <i>Double insulation</i>	250	CuNi	•	•

Attention: in the end product the cables connected to this lampholder should not be accessible during the normal replacement operations of the lamp (if accessible a cord-grip device should be provided).



# A76

2006



**Lampholder:**

**GU6.5**  
**500 V**  
**5 kV**  
**2 A**  
**T 260°C**  
**T 105°÷ 250°C**  
**III**  
**IP20**  
**EN 60838-1**  
**2014/35/EU**  
**CQC**

• **Note: recommended maximum power 20W.**

Single-conductor, flexible connecting cables crimped to the lampholder:

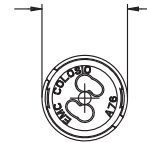
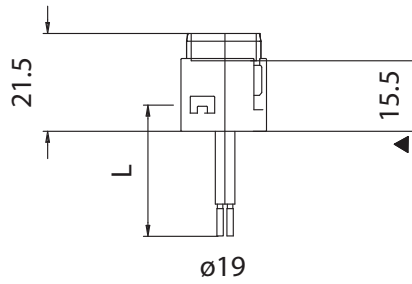
Insulation	T in °C	Conduct.	Available sections and tensions			
			Pulse kV	0,75 mm <sup>2</sup>	1,00 mm <sup>2</sup>	1,50 mm <sup>2</sup>
Silicone+Silicone <i>Single insulation</i>	180	CuSn	5kV	•		
Oversize silicone <i>Single insulation</i>	180	CuSn	5kV	•		
Oversize PTFE <i>Single insulation</i>	250	CuNi	5kV	•	•	
Oversize PTFE +PFA <i>Double insulation</i>	250	CuNi	5kV	•	•	

On customer's request, the cable not subjected to the lamp starter voltage, can be supplied with basic insulation.

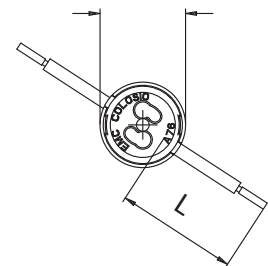
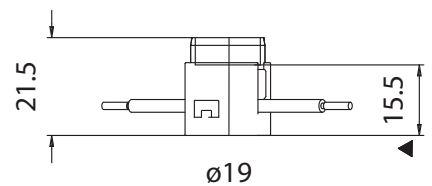


**A76**

**Double insulation**



**A76L**



▲ Reference plane



# LAMPHOLDERS FOR DISCHARGE LAMPS

## A76C



*Lampholder whose creepage and clearance distances allow the use in class II fixtures with pulse peak voltage up to 4,5kV,  
- or with working voltage up to 300V in applications foreseen for the overvoltage category II,  
- or with working voltage up to 250V in applications foreseen for the overvoltage category III,  
if connected with double or triple insulated cables (ref. standard EN 60598.1).*

*Solid fixing steel structure, independent from the body, which allows to carry out quick and safe fixing of the lampholder. This solves the problem of the easy breaking, during the fixing process, of the existing lampholders.*

- Steatite body (not produced in Europe).  
External envelope in black LCP.  
Contacts in special silver-plated alloy.
- **Glow wire 960° C**
- Weight of the lampholder in standard execution (with cables L = 25 cm): 11 g.

- Instructions to fix the lampholder on structures: snap-in fixing on the support bracket inserted in the accessories presented in the following pages.



<b>Lampholder:</b>	<b>GU6.5</b>
Rated voltage:	<b>500 V</b>
Rated current:	<b>2 A</b>
Impulse voltage:	<b>5 kV</b>
Working temperature:	<b>T 240°C</b>
Connected cables working temperature:	<b>T 105° ÷ 250°C</b>
In conformity to the standards:	<b>UL 496 CSA 22.2 N.43</b>
Approval marks:	<b>cURus</b>

Single-conductor, flexible connecting cables crimped to the lampholder:

Insulation	T in °C	Conduct.	Available voltages and AWG	
			600V	18AWG
Silicone <i>Single insulation</i>	200	CuSn	•	•
Silicone+glass-braid <i>Single insulation</i>	200	CuSn	•	•
PTFE <i>Single insulation</i>	250	CuNi	•	•
PTFE+PFA <i>Double insulation</i>	250	CuNi	•	•

Attention: in the end product the cables connected to this lampholder should not be accessible during the normal replacement operations of the lamp (if accessible a cord-grip device should be provided).



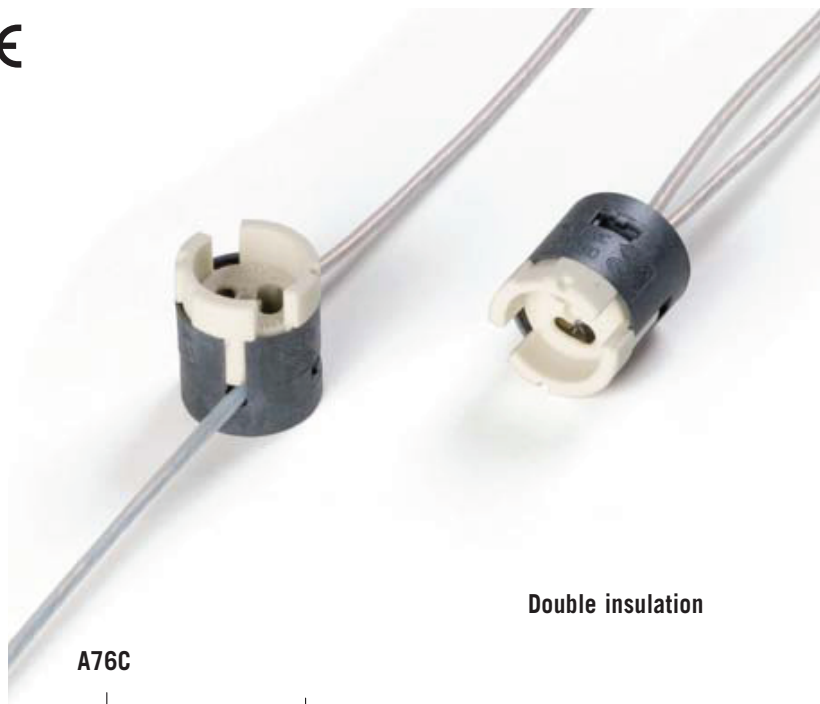
# A76C

2009



### Lampholder:

**Rated voltage: 500 V**  
**Impulse voltage: 5 kV**  
**Rated current: 2 A**  
**Working temperature: T 260°C**  
**Connected cables working temperature: T 105°÷ 250°C**  
**Overvoltage category: III**  
**Protection degree (IP): IP20**  
**In conformity to the standards: EN 60838-1**  
**In conformity to the requirements of the directive: 2014/35/EU**  
**Approval marks: CQC**



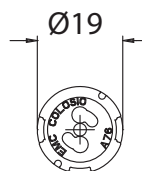
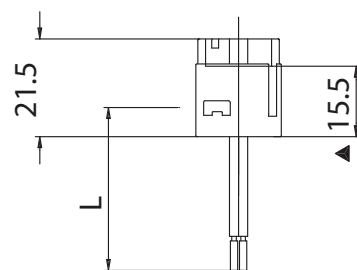
Double insulation

Single-conductor, flexible connecting cables crimped to the lampholder:

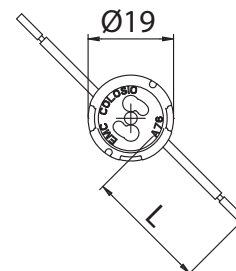
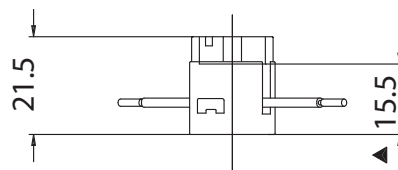
Insulation	T in °C	Conduct.	Available sections and tensions			
			Pulse kV	0,75 mm <sup>2</sup>	1,00 mm <sup>2</sup>	1,50 mm <sup>2</sup>
Silicone+Silicone <i>Single insulation</i>	180	CuSn	5kV	•		
Oversize silicone <i>Single insulation</i>	180	CuSn	5kV	•		
Oversize PTFE <i>Single insulation</i>	250	CuNi	5kV	•	•	
Oversize PTFE +PFA <i>Double insulation</i>	250	CuNi	5kV	•	•	

On customer's request, the cable not subjected to the lamp starter voltage, can be supplied with basic insulation.

A76C



A76CL



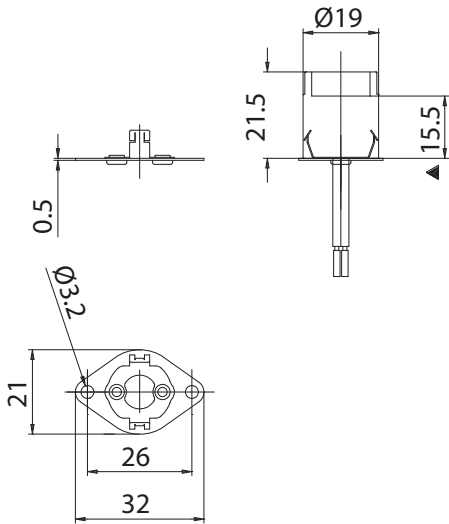
▲ Reference plane



# 725



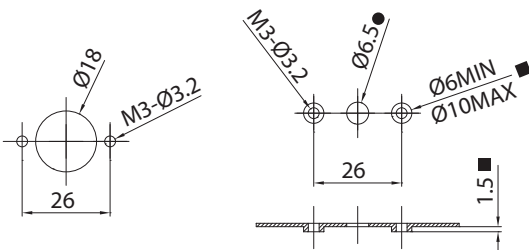
Double insulation



▲ Reference plane

**725:** plate bracket, for lampholders A76-, in nickel-plated iron, with fixing holes diameter 3,2 mm with center distance 26 mm.

- Weight: 2 g.
- Instructions to fix the lampholder on structures.



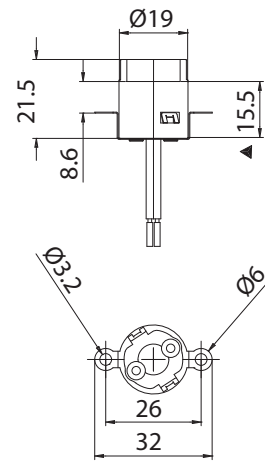
Suggested minimum dimension (if necessary)  
● for cables passage ■ for fixing columns

- Bracket fixing by holes diameter 3,2 mm with center distance 26 mm.
- Snap-in fixing to the lampholders.

# 765



Double insulation

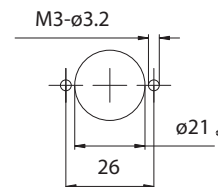


▲ Reference plane

**765:** plate bracket, for lampholders A76-, in nickel-plated iron, with fixing holes diameter 3,2 mm with center distance 26 mm.

*Note: this solution allows to use the lampholder A76 (with base GU6.5) instead of the lampholder A70- (with base PGJ5) when this latest is equipped with the plate support bracket 725.*

- Weight: 2 g.
- Instructions to fix the lampholder on structures.

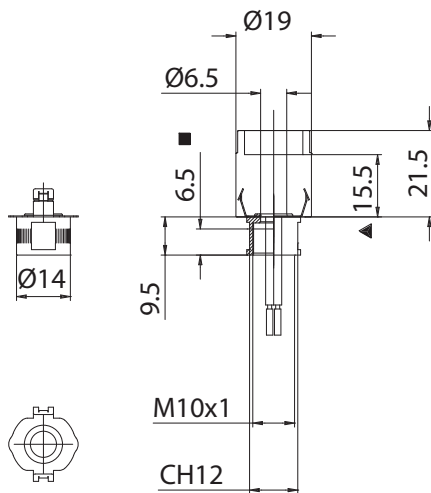


- Bracket fixing by holes diameter 3,2 mm with center distance 26 mm.
- Snap-in fixing to the lampholders.

# 720



Double insulation



▲ Reference plane ■ Thread depth

**720:** female nipple, for lampholders A76-, in steel with nichel-palted brass, with threaded hole M10 x1.

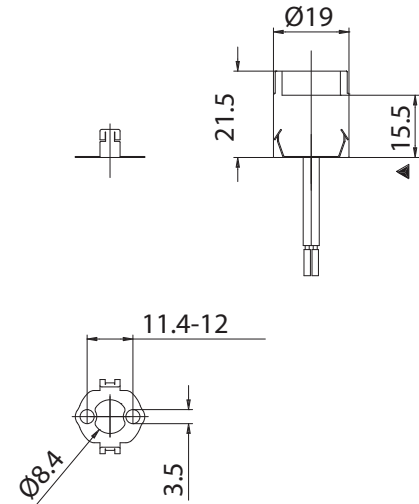
- Weight: 7 g.

- Fixing of the adapter by threaded nipples.
- Snap-in fixing to the lampholders.

# 719



Double insulation

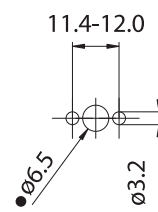


▲ Reference plane

**719:** support bracket, for lampholders A76-, in steel, with fixing slotted holes diameter 3,2 mm with center distance 11,4 ÷ 12,0 mm.

Available screws M3 x 8 mm with rounded hexagonal head, diameter 5,7 mm, key 2 mm, in white zinc-plated steel (art. 536).

- Weight: 0,5 g.
- Instructions to fix the lampholder on structures.



● Suggested minimum dimension for cables passage (if necessary)

- Bracket fixing by holes diameter 3,2 mm with center distance 11,4 ÷ 12,0 mm.
- Snap-in fixing to the lampholders.

# 724-

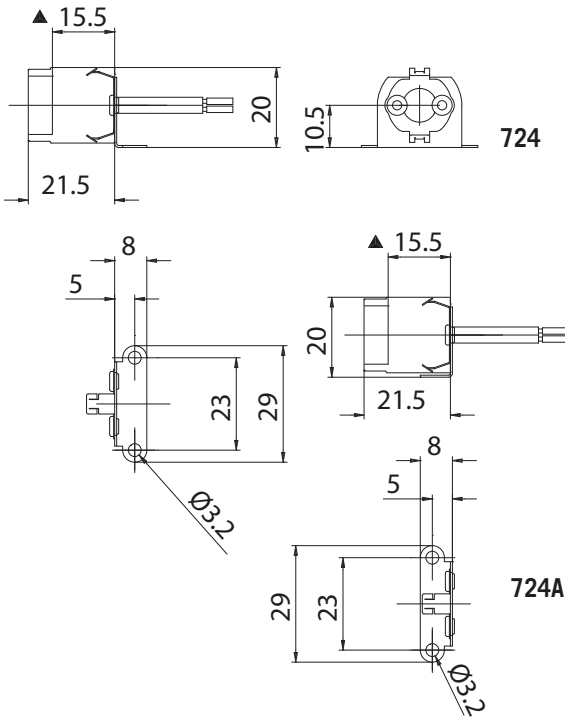


Double insulation

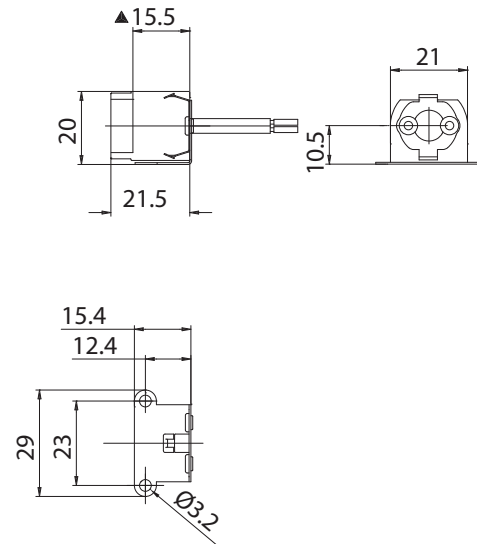
# 764A



Double insulation



▲ Reference plane

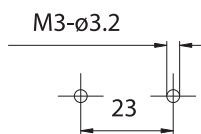


▲ Reference plane

**724:** 90° bracket, for lampholders A76-, in nickel-plated iron, with fixing holes diameter 3,2 mm, with 23 mm center distance, turned towards the cables.

**724A:** 90° bracket, in nickel-plated iron, with fixing holes diameter 3,2 mm with 23 mm center distance, turned towards the lampholder.

- Weight: 3 g.
- Instructions to fix the lampholder on structures.

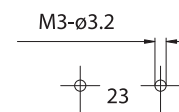


- Bracket fixing by holes diameter 3,2 mm with center distance 23 mm.
- Snap-in fixing to the lampholders.

**764A:** 90° bracket, in nickel-plated iron, with fixing holes diameter 3,2 mm with 23 mm center distance, turned towards the lampholder.

*Note: this solution allows to use the lampholder A76 (with base GU6.5) instead of the lampholder A70- (with base PGJ5) when this latest is equipped with the 90° support bracket 724A.*

- Weight: 3 g.
- Instructions to fix the lampholder on structures.



- Bracket fixing by holes diameter 3,2 mm with center distance 23 mm.
- Snap-in fixing to the lampholders.