

# A83Z-

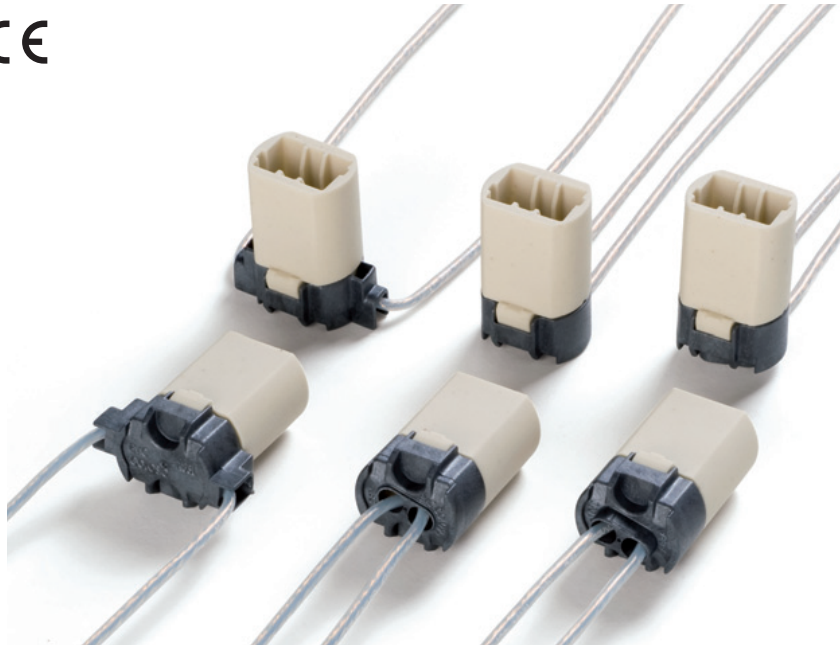
2008



**Lampholder:**

Rated voltage: 500 V  
 Impulse voltage: 5 kV  
 Rated current: 4 A  
 Working temperature: T 250°C  
 Connected cables working temperature: T 105°÷ 250°C  
 Overvoltage category: III  
 Protection degree (IP): IP20  
 In conformity to the standards: EN 60838-1  
 In conformity to the requirements of the directive: 2014/35/EU  
 Approval marks:

**G8.5**  
**500 V**  
**5 kV**  
**4 A**  
**T 250°C**  
**T 105°÷ 250°C**  
**III**  
**IP20**  
**EN 60838-1**  
**2014/35/EU**

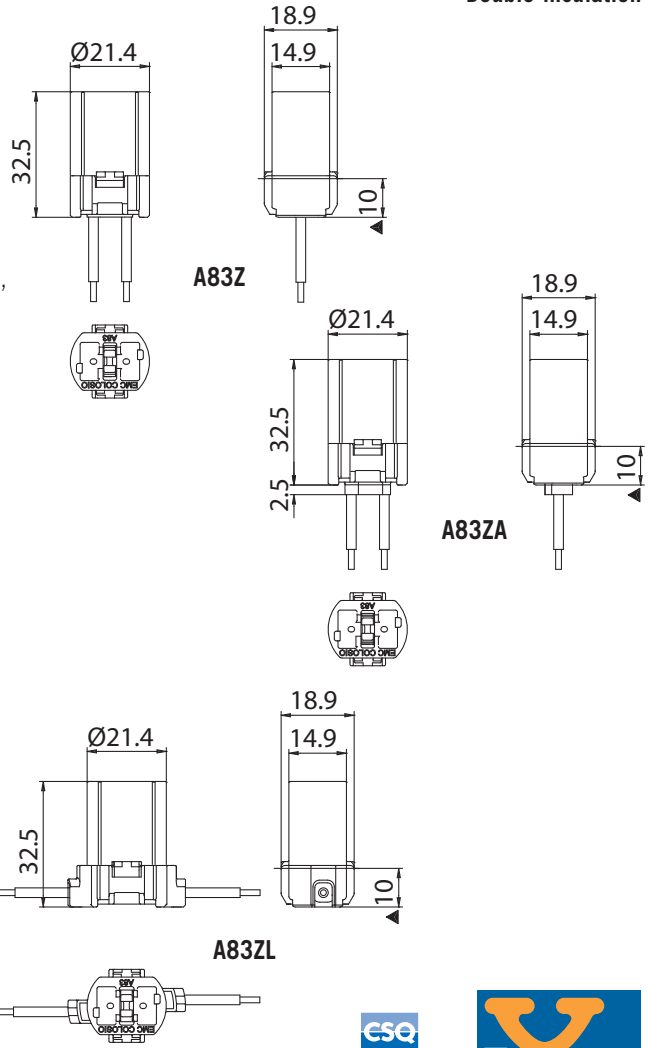


**A83Z:** Lampholder A83Z with insulating base diameter 21 mm lateral springs for the centering of the lamp and cables with central back exit. Version with ordinary insulation.

**A83ZA:** Lampholder A83Z with insulating base diameter 21 mm with long insulation pipe to be inserted in the slot of the fixing bracket, lateral springs for the centering of the lamp and cables with central back exit. Version in double insulation.

**A83ZL:** lampholder A83Z with insulating base with side openings, lateral springs for the centering of the lamp and cables with lateral-opposite exit. Version in double insulation.

**Double insulation**



Single-conductor, flexible connecting cables crimped to the lampholder:

Insulation	T in °C	Conduct.	Available sections and tensions			
			Pulse kV	0,75 mm <sup>2</sup>	1,00 mm <sup>2</sup>	1,50 mm <sup>2</sup>
Silicone+Silicone <i>Single insulation</i>	180	CuSn	5kV	•		
Oversize silicone <i>Single insulation</i>	180	CuSn	5kV	•		
Oversize PTFE <i>Single insulation</i>	250	CuNi	5kV	•	•	
Oversize PTFE +PFA <i>Double insulation</i>	250	CuNi	5kV	•	•	

On customer's request, the cable not subjected to the lamp starter voltage, can be supplied with basic insulation.

▲ Reference plane



# LAMPHOLDERS FOR DISCHARGE LAMPS

## A83Z-



*Lampholder whose creepage and clearance distances allow the use in class II fixtures with pulse peak voltage up to 5kV, with working voltage up to 500V, and in applications foreseen for the overvoltage category III, if connected with double or triple insulated cables (ref. standard EN 60598.1).*

*Solid fixing structure, in steel, independent from the ceramic body, that allows a quick and safe fixing of the lampholder.*

- Steatite body.  
Insulating base in black LCP.  
Contacts in special alloy.  
Pressure spring of the contacts in nickel-plated tempered and normalized steel.  
Lateral springs for the centering of the lamp in stainless steel.

- **Glow wire, of the insulating base, 960°C**

- Weight of the lampholder in standard execution (with cables L = 25 cm): 22 g.

- Instructions to fix the lampholder on structures: snap-in fixing using the support brackets presented in the following pages.

<b>Lampholder:</b>	<b>G8.5</b>
Rated voltage:	<b>500 V</b>
Rated current:	<b>6 A</b>
Impulse voltage:	<b>5 kV</b>
Working temperature:	<b>T 240°C</b>
Connected cables working temperature:	<b>T 105°÷ 250°C</b>
In conformity to the standards:	<b>UL 496 CSA 22.2 N.43</b>
<b>Approval marks:</b>	<b>cURus</b>

Single-conductor, flexible connecting cables crimped to the lampholder:

Insulation	T in °C	Conduct.	Available voltages and AWG	
			600V	18AWG
Silicone <i>Single insulation</i>	200	CuSn	•	•
Silicone+glass-braid <i>Single insulation</i>	200	CuSn	•	•
PTFE <i>Single insulation</i>	250	CuNi	•	•
PTFE+PFA <i>Double insulation</i>	250	CuNi	•	•

