

A85C- 2003



PATENTED

Lampholder - connector:

Rated voltage:
Impulse voltage:
Rated current:
Working temperature:
Type of clamps to connect the cables:

GX8.5
500 V
5 kV
2 A
T 220°C

SPRING CLAMPS (push-in insertion)

Clamps connecting capacity:
Overvoltage category:
Protection degree (IP):
In conformity to the standards:
In conformity to the requirements of the directive:

1 mm²
III
IP20
EN 60838-1

Approval marks:

2014/35/EU
CQC



Double insulation

A85CB: version of the lampholder A85 with back central exit of the cables and aesthetical cover in sand-blasted and anodized aluminium (for the cover ref. art. 496/27B).

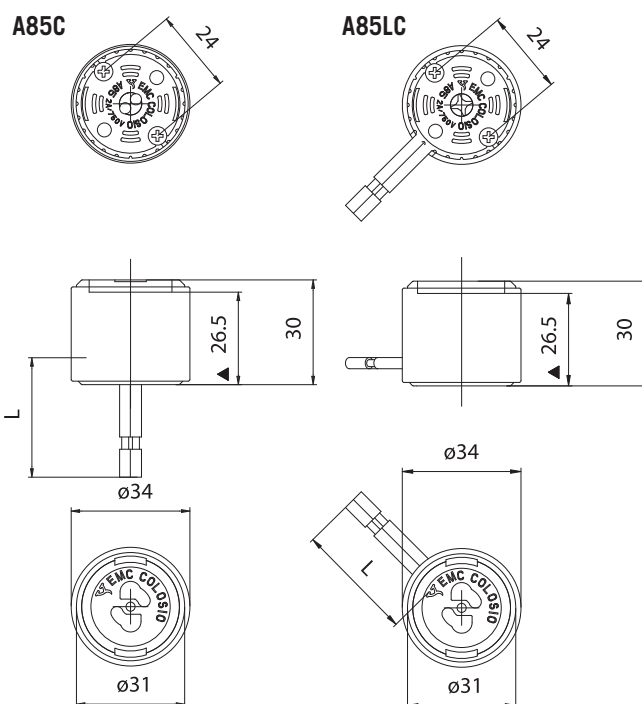
A85LCB: version of the lampholder A85 with lateral exit of the cables and aesthetical cover in sand-blasted and anodized aluminium (for the cover ref. art. 496L/27B).

A85CQ: version of the lampholder A85 with back central exit of the cables and aesthetical cover in polished aluminium (for the cover ref. art. 496/27Q).

A85LCQ: version of the lampholder A85 with lateral exit of the cables and aesthetical cover in polished aluminium (for the cover ref. art. 496L/27Q).

Single-conductor flexible connecting cables which could be connected to the lampholder (arranged with crimped end-terminals):

Insulation	T in °C	Conduct.	Available sections and tensions			
			Pulse kV	0,75 mm ²	1,00 mm ²	1,50 mm ²
Silicone+Silicone Single insulation	180	CuSn	5kV		•	
Oversize silicone Single insulation	180	CuSn	5kV		•	
Oversize PTFE Single insulation	250	CuNi	5kV		•	
Oversize PTFE+PFA Double insulation	250	CuNi	5kV		•	



▲ Reference plane



LAMP HOLDERS FOR DISCHARGE LAMPS

Lampholder whose creepage and clearance distances allow the use in class II fixtures with pulse peak voltage up to 4,5kV,
 - or with working voltage up to 350V in applications foreseen for the overvoltage category II,
 - or with working voltage up to 300V in applications foreseen for the overvoltage category III,
 if connected with double or triple insulated cables (ref. standard EN 60598.1).

NOTE 1: back cable-clamp cover to be assembled after having inserted the cables in double insulation, which can exit from the back side or lateral side of the lampholder (ref. standard EN 60598.1 par. 5.2.10.3 "pull test 60 N" and "torsion test 0,15 Nm").

NOTE 2: used as connector is suitable for the external use in lighting fixtures according to the paragraph 4.13.1 "mechanical resistance" of standard EN 60598.1.

In some applications, it is necessary to guarantee the fastening of the cable-clamps cover by two 3 x 12 thread-forming screws for plastic, to be inserted in the holes with center distance 24 mm (ref. art. 526).

Attention: consider 5 cm of cables loss in lampholder with cables exit from the back side; consider 7 and 3 cm of cables loss in lampholder with cables exit from the lateral side.

Note: on request, it is also possible to supply the lampholder with already inserted cables (ref. A85C- with back side exit, ref. A85LC- with lateral side exit).

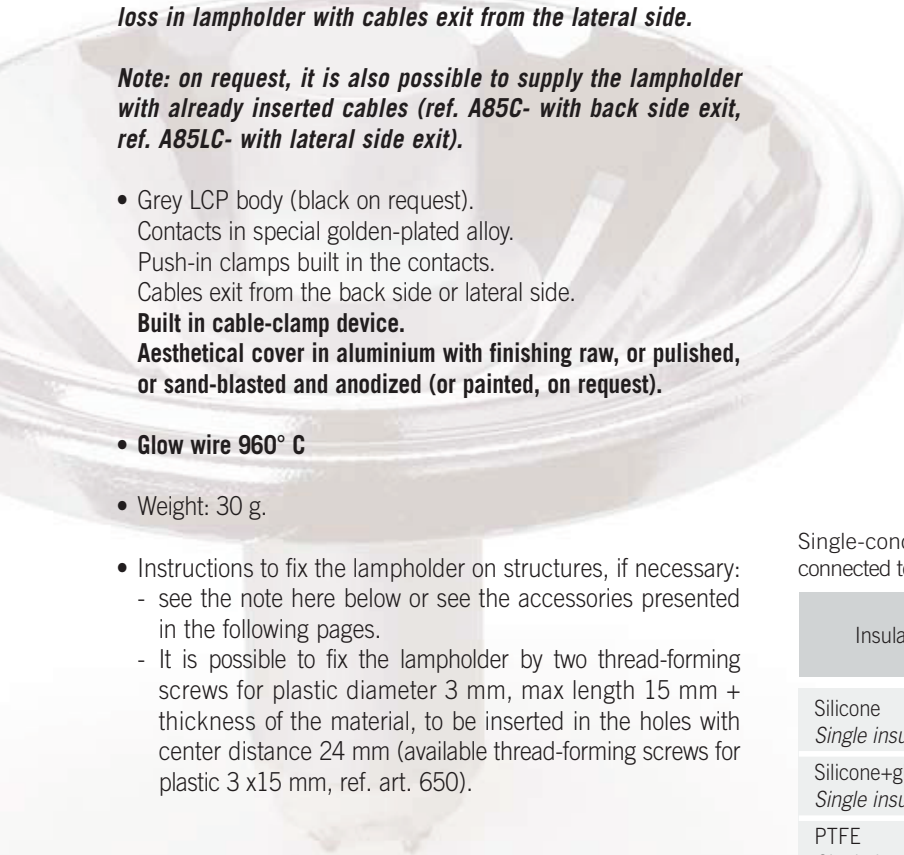
- Grey LCP body (black on request).
 Contacts in special golden-plated alloy.
 Push-in clamps built in the contacts.
 Cables exit from the back side or lateral side.
Built in cable-clamp device.
Aesthetical cover in aluminium with finishing raw, or polished, or sand-blasted and anodized (or painted, on request).
- **Glow wire 960° C**
- Weight: 30 g.
- Instructions to fix the lampholder on structures, if necessary:
 - see the note here below or see the accessories presented in the following pages.
 - It is possible to fix the lampholder by two thread-forming screws for plastic diameter 3 mm, max length 15 mm + thickness of the material, to be inserted in the holes with center distance 24 mm (available thread-forming screws for plastic 3 x15 mm, ref. art. 650).

A85C-



PATENTED

Lampholder - connector:	GX8.5
Rated voltage:	750 V
Rated current:	2 A
Impulse voltage:	5 kV
Working temperature:	T 220°C
Type of clamps to connect the cables:	SPRING CLAMPS (push-in insertion)
Clamps connecting capacity:	18 AWG
In conformity to the standards:	UL 496 CSA 22.2 N.43
Approval marks:	cURus



Single-conductor flexible connecting cables which could be connected to the lampholder (arranged with crimped end-terminals):

Insulation	T in °C	Conduct.	Available voltages and AWG	
			600V	18AWG
Silicone <i>Single insulation</i>	200	CuSn	•	•
Silicone+glass-braid <i>Single insulation</i>	200	CuSn	•	•
PTFE <i>Single insulation</i>	250	CuNi	•	•
PTFE+PFA <i>Double insulation</i>	250	CuNi	•	•

