

A93X

2009



PATENTED

Lampholder:

PGZX18

Rated voltage:

500 V

Impulse voltage:

5 kV

Rated current:

8 A

Working temperature:

T 300°C

Connected cables

working temperature:

T 105° ÷ 250°C

Overvoltage category:

III

Protection degree (IP):

IP20

In conformity to the standards:

EN 60838-1

In conformity to the requirements of the directive:

2014/35/EU

Approval marks:

CQC



Double insulation

A93X: Lampholder A93X with cables with central back exit.

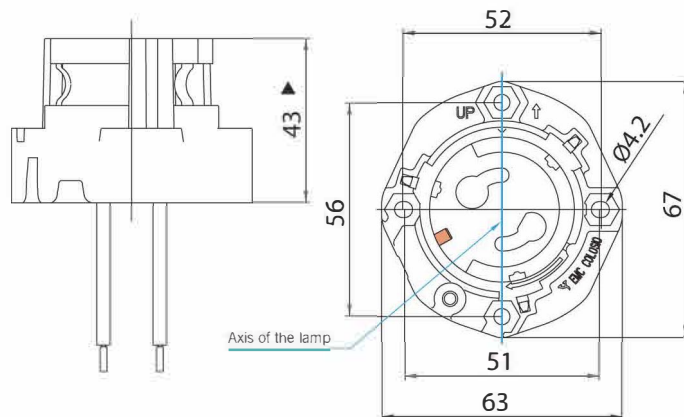
A93XL: Lampholder A93X with lateral exit of the cables.

A93XA: Lampholder A93X with lateral-opposite exit of the cables.

Single-conductor, flexible connecting cables crimped to the lampholder:

Insulation	T in °C	Conduct.	Available sections and tensions			
			Pulse kV	0,75 mm ²	1,00 mm ²	1,50 mm ²
Silicone+Silicone <i>Single insulation</i>	180	CuSn	5kV		•	•
Oversize silicone <i>Single insulation</i>	180	CuSn	5kV		•	•
Silicone+Silicone + Glass-braid <i>Single insulation</i>	180	CuSn	5kV		•	•
Oversize PTFE <i>Single insulation</i>	250	CuNi	5kV		•	•
Oversize PTFE+PFA <i>Double insulation</i>	250	CuNi	5kV		•	•

On customer's request, the cable not subjected to the lamp starter voltage, can be supplied with basic insulation.



▲ Reference plane



LAMPHOLDERS FOR DISCHARGE LAMPS

Lampholder whose creepage and clearance distances allow the use in class II fixtures with ignition impulse voltage up to 4,5kV, working voltage up to 350V, and in applications foreseen for the overvoltage category III, if connected with double or triple insulated cables (ref. standard EN 60598.1)

Solid fixing structure, in diecast aluminium.

External envelope with open sectors that allows, especially during the replacement of the lamp, to see and verify easily the correct position of the lamp (the lamp has the two polarized pins and it is not easy to identify their difference).

Perfect centring of the lamp in the lampholder, in all the possible applications in the lighting fixtures, thanks also to the three leaf springs at 120° provided on the envelope.

Versatile possibility to chose different center fixings both in the standard version of the lampholder (fixing with center distance 52 and 56 mm) and in the version with the accessories (fixing with center distance 18, 30, 34, 38 and 42 mm).

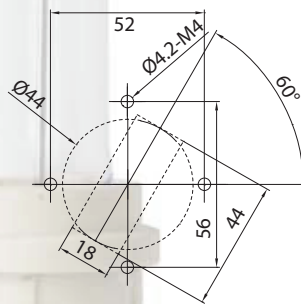
Possibility to fix the lampholder on structures foreseen for lampholders with cap PGZ12 - A91.

Possibility to insert an eyelet terminal for M4 screws, connected to the ground conductor, under the head of one of the fixing screws, using the foreseen opening of the external envelope of the lampholder.

Possible exit of the cables central-back, lateral or opposite-lateral.

Attention: consider 2 cm of cables loss in lampholder with cables exit from the central back side or opposite-lateral; consider 2 cm for one cable and 5 cm for the other of cables loss in lampholder with cables exit from the lateral side.

- Steatite body.
External envelope in diecast aluminium.
Contacts in special silver-plated alloy.
Steel strengthening springs for the contacts.
Springs for the positioning of the lamp in stainless steel.
Leaf springs for the centering of the lamp in stainless steel.
Cables exit from the back side or lateral side.
- Weight (with cables l = 35 cm): 115 g.
- Instruction to fix the lampholder on structures.



- Fixing of the lampholder:
 - with two M4 screws to be inserted in the fixing holes with center distance 56 mm;
 - with two M4 screws to be inserted in the slotted fixing holes with center distance 52 mm;
 - inserting two M4 nuts in the hexagonal seats foreseen on the envelope and screwing, using a center distance 52 mm, two M4 screws from the back part of the lampholder itself;
 - using the fixing plate presented in the following pages.

A93X



PATENTED

Lampholder:	PGZX18
Maximum power:	660 W
Rated voltage:	600 V
Impulse voltage:	5 kV
Working temperature:	T 250°C
Connected cables working temperature:	T 105° ÷ 250°C
In conformity to the standards:	UL 496 CSA 22.2 N.43
Approval marks:	cURus

Single-conductor, flexible connecting cables crimped to the lampholder:

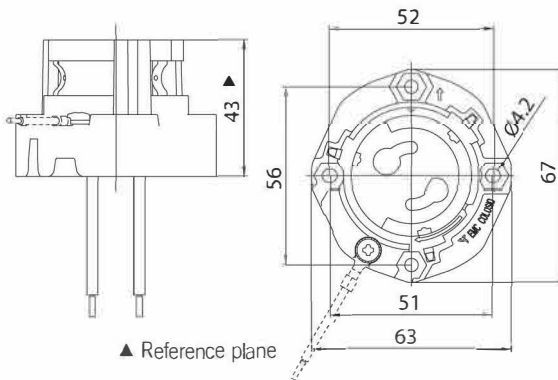
Insulation	T in °C	Conduct.	Available voltages and AWG			
			600V	18AWG	16AWG	14AWG
Silicone Single insulation	200	CuSn	•	•	•	•
Silicone+glass-braid Single insulation	200	CuSn	•	•	•	•
PTFE Single insulation	250	CuNi	•	•	•	•
PTFE+PFA Double insulation	250	CuNi	•	•	•	•



A93F A93XF



Double insulation



A93F - A93XF: lampholder A93 or A93X supplied with the aluminium envelope with a M4 thread that can be used to fix the eyelet of the ground cable (suggested a screw M4 x 5 mm).

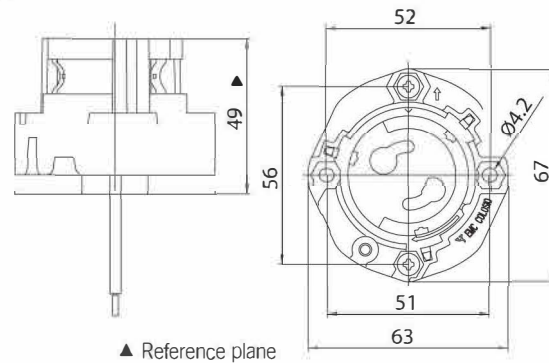
This version is helpful when there is the need to use the structure of the envelope of the lampholder to fix the ground cable.

- Weight: 115 g.
- Instruction to fix the lampholder on structures: see the previous pages.

A93D A93XD



Double insulation



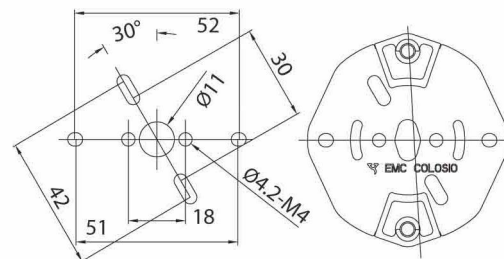
A93D - A93XD: lampholder A93 or A93X supplied with flat support plate, in zinc-plated iron, with fixing holes diameter 4,2 mm with center distance 18, 30, 34, 38, 42, 51 and 52 mm (art. 969).

Note 1: the support plate 969 is supplied not assembled to the lampholder A93-. The supplying code foresees also two spacers in aluminium (art.964) and the two screws M4 x 22 mm (art. 663) for the fixing of the lampholder A93- on the plate.

Note 2: the reference plane of the lamp, in this version becomes 49 mm (in the standard version is 43 mm).

Note 3: in this configuration the lampholder cannot be used for applications in double insulation.

- Weight: 120 g.
- Instruction to fix the lampholder on structures.

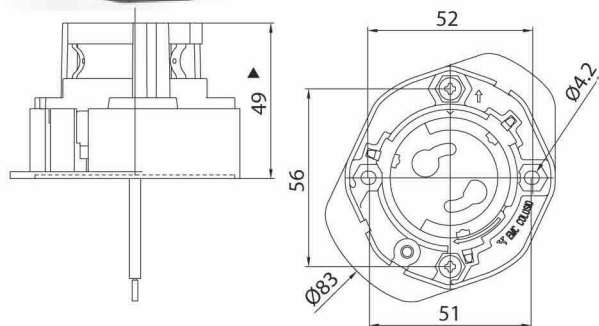


- Fixing of the plate 969 using the holes diameter 4,2 mm with center distance 18 or 30 or 34 or 38 or 42 or 51 or 52 mm.
- Fixing of the lampholder to plate 969 using the two screws M4 x 22 mm (already included) to be inserted in the holes of the lampholder with center distance 56 mm putting the two spacer in aluminium between the plate and the lampholder.

A93C A93XC



Double insulation



▲ Reference plane

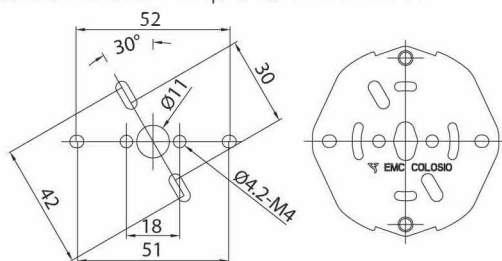
A93C - A93XC: lampholder A93 or A93X supplied with insulating accessory, in PPS T240°C (T200°C for the cURus version) and flat fixing plate, in zinc-plated iron, with fixing holes diameter 4,2 mm with center distances 18, 30, 34, 38 and 42 mm.

Solution for applications in double insulation when there is the need to fix the lampholder with center distances 18, 30, 34, 38 or 42 mm on metallic fixing structures.

Note 1: the accessories set, base art. 968, and the fixing plate art. 969, are supplied not assembled to the lampholder. The supplying code foresees also two screws M4 x 22 mm (art. 663) for the fixing of the lampholder A93- to the fixing plate.

Note 2: the reference plane of the lamp, in this version, becomes 49 mm (in the standard version is 43 mm).

- Weight: 120 g.
- Instruction to fix the lampholder on structures.

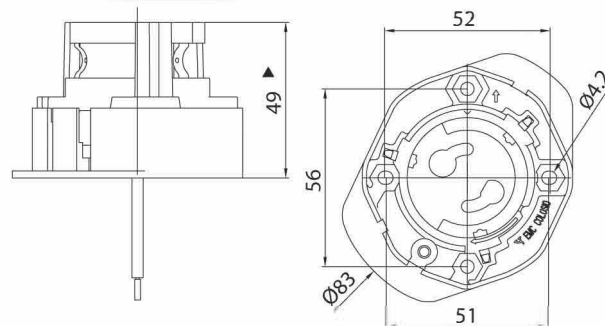


- Fixing of the plate 969 using the holes diameter 4,2 mm with center distance 18 or 30 or 34 or 38 or 42 or 51 or 52 mm.
- Fixing of the lampholder and of the insulating accessory 968 using the two screws M4 x 22 mm (already included) to be inserted in the holes of the lampholder with center distance 56 mm.

A93P A93XP



Double insulation



▲ Reference plane

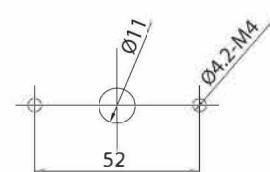
A93P - A93XP: lampholder A93 or A93X supplied with insulating accessory, in PPS T240°C (T200°C for the cURus version), with fixing holes diameter 4,2 mm with center distance 51, 52 and 56 mm.

Solution for applications in double insulation when the fixing structure has metal parts within a diameter 11 mm from the support base of the lampholder.

Note 1: the accessory, base art. 968 is supplied not assembled with the lampholder.

Note 2: the reference plane of the lamp, in this version with the insulating accessories, becomes 49 mm (in the standard version is 43 mm).

- Weight: 120 g.
- Instruction to fix the lampholder on structures.



- Fixing of the lampholder and of the insulating accessory 968 using two M4 screws to be inserted in the fixing holes with center distance 52 or 56 mm.