

HEIGHT ADJUSTMENT DEVICES "LIGHTTUNE"



Device type: **HEIGHT ADJUSTMENT DEVICE WITH CENTRAL CABLE EXIT**

Rated voltage: **48 V dc**
 Rated current: **2 A**
 Number of poles: **1, 2 or 3 poles**

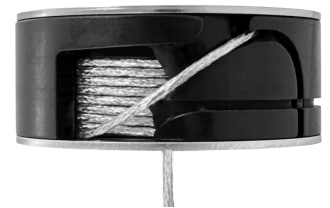
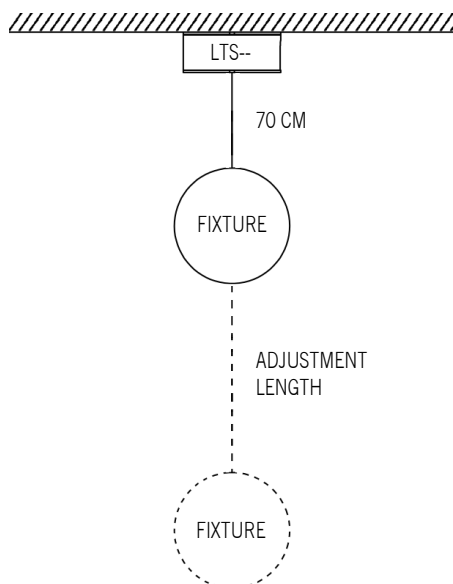
In conformity to the standard: **EN 60598-1** (as far as applicable)
 In conformity to the requirements of the Directive: **2014/35/EU**

LTS--/: height adjustment device for pendant lighting fixtures, version with central cable exit, that can work with a weight of the suspended part from 0,6 to 2,5 kg. wired with a cable with 1, 2 or 3 poles with internal reinforcing rope.
 For the cables that can be used and their adjustment range, see the "table of the cables used in the device" below.
 The external cable has a standard length of 70 cm.

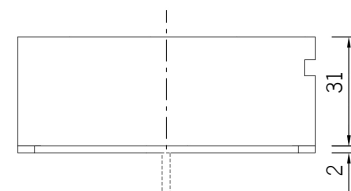
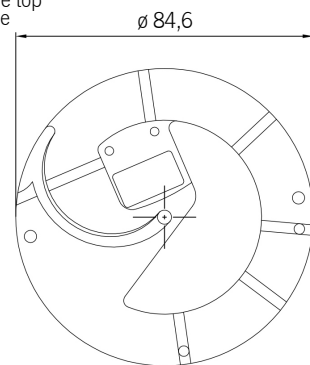
Note: the device must be calibrated during the production process to guarantee a correct functioning. The weight of suspendable fixtures has a tolerance of approximately +/- 100 g.

• Table of the cables used in the device:

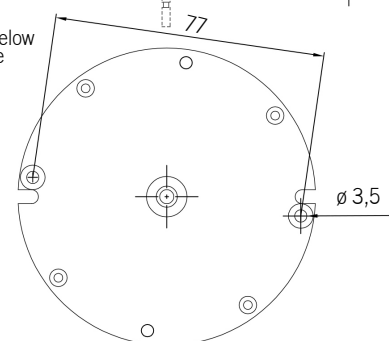
Insulation	Sections mm ²	Diam.	Breaking load	Adjustment range	Code
FEP	1x 0,50	1,5 mm	25 kg	(70) + 130 cm	VN10-
Coaxial FEP/Screening + FEP	1x 0,24 + 1x 0,50	2,1 mm	15 kg	(70) + 160 cm	VE2C-
FEP + FEP (+ Screening)	3x 0,15	2,5 mm	15 kg	(70) + 160 cm	VQ3S-



View from the top ceiling side



View from below fixture side



. Fixing of the device by M3 screws to be inserted in the holes at center distance 77 mm.

