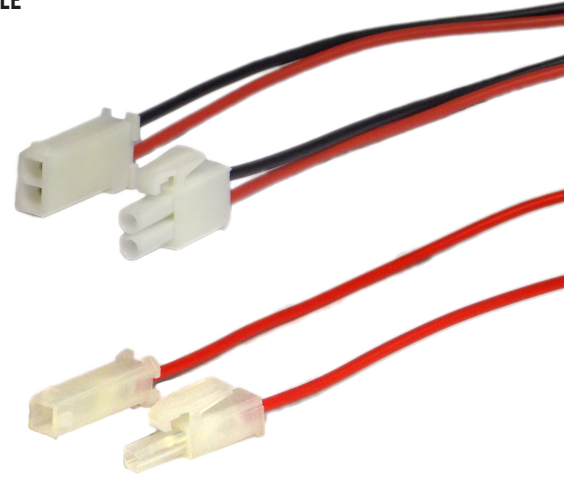


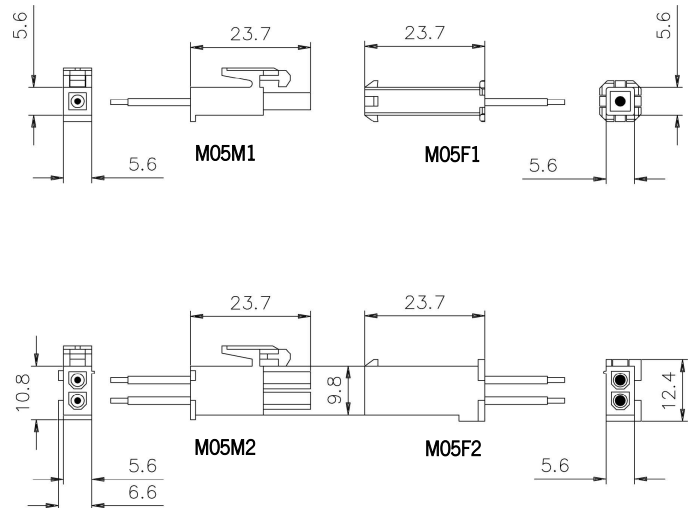
CONNECTORS PLUG AND SOCKET

M05-

Type:	CONNECTOR PLUG MALE + SOCKET FEMALE WITH 1 AND 2 POLES
Rated voltage:	250 V
Rated current:	2 A
Working temperature:	T -20°C +105°C
Type of clamps to connect the cables:	CRIMPED
Clamps connecting capacity:	0,35 ÷ 0,75 mm² 22 ÷ 18 AWG
Protection degree (IP):	IP20
Approval marks:	



- Connection device built with plug male + socket female to fix in panels with safety retaining tooth against the accidental opening:
 - external envelope in neutral PA66.
 - terminals in tin-plated brass, crimped (or to be crimped) to the supply cables.
- Device suitable for the supply connection of LEDs lighting fixture from the power unit to the source.
- The device can be connected both with single-conductor cables and multi-conductors cables (for the cables, refer to "Section 9" of this catalogue).



- M05M1:** 1 pole male plug.
- M05F1:** 1 pole female socket.
- M05M2:** 2 poles male plug.
- M05F2:** 2 poles female socket.

