

CONNECTORS PLUG AND SOCKET FOR LED_s APPLICATION

M07-

2010

Type:

**CONNECTOR PLUG MALE +
SOCKET FEMALE
WITH 2, 4, 6 AND 8 POLES**

Rated voltage:

48 V

Rated current:

3 A

Working temperature:

T -20°C +120°C

Type of clamps to connect the cables:

CRIMPED

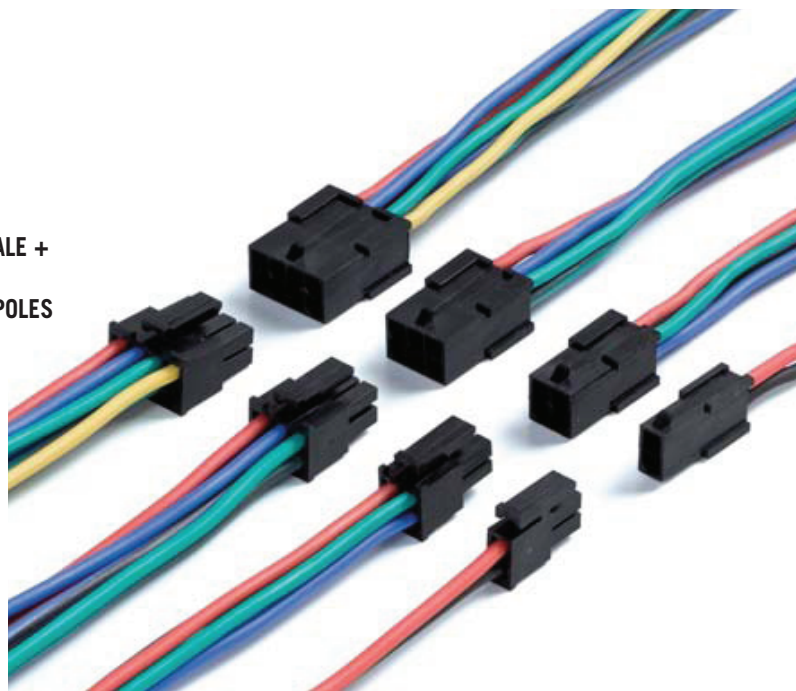
Clamps connecting capacity:

0,25 ÷ 0,50 mm²

Protection degree (IP):

IP20

Approval marks:



- Connection device built with plug male + socket female with safety retaining tooth against the accidental opening:
 - external envelope in black PA66.
 - terminals in tin-plated phosphorous bronze crimped (or to be crimped) to the supply cables.
- Device suitable for the supply connection of LEDs lighting fixture from the power unit to the source.
- The device can be connected both with single-conductor cables and multi-conductors cables (for the cables, refer to "Section 9" of this catalogue).

M07A2: 2 poles male plug.

M07M2: 2 poles male plug.

M07M4: 4 poles male plug.

M07M6: 6 poles male plug.

M07M8: 8 poles male plug.

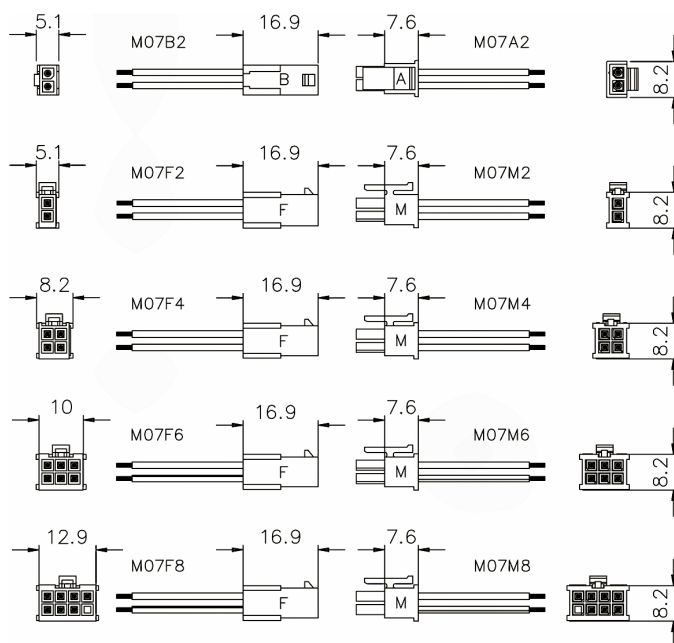
M07B2: 2 poles female socket.

M07F2: 2 poles female socket.

M07F4: 4 poles female socket.

M07F6: 6 poles female socket.

M07F8: 8 poles female socket.



CONNECTORS PLUG AND SOCKET FOR LED_s APPLICATION

M07-

2010

Type:

CONNECTOR PLUG MALE + SOCKET FEMALE TO FIX IN PANELS WITH 2, 4, 6 AND 8 POLES

Rated voltage:

48 V

Rated current:

3 A

Working temperature:

T -20°C +120°C

Type of clamps to connect the cables:

CRIMPED

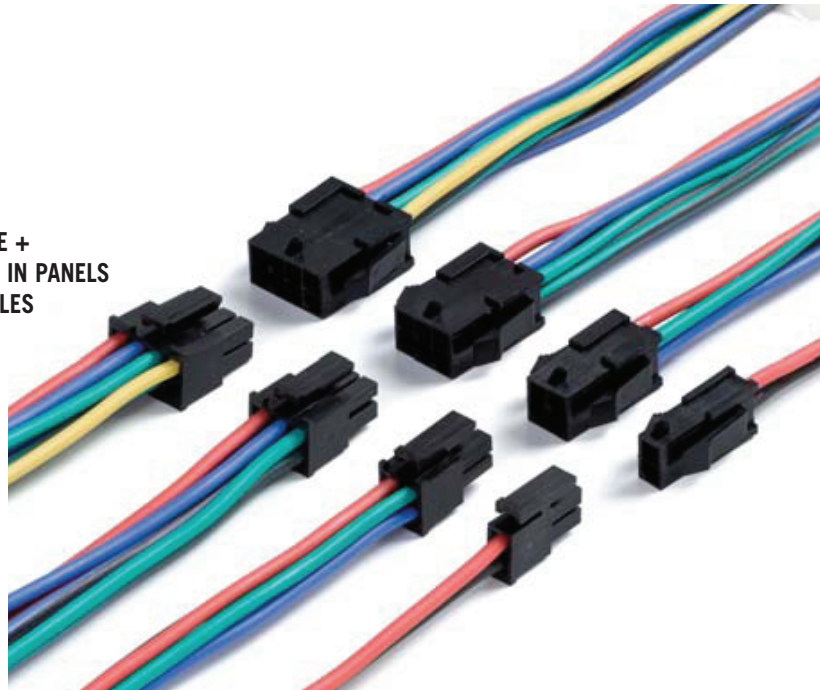
Clamps connecting capacity:

0,25 ÷ 0,50 mm²

Protection degree (IP):

IP20

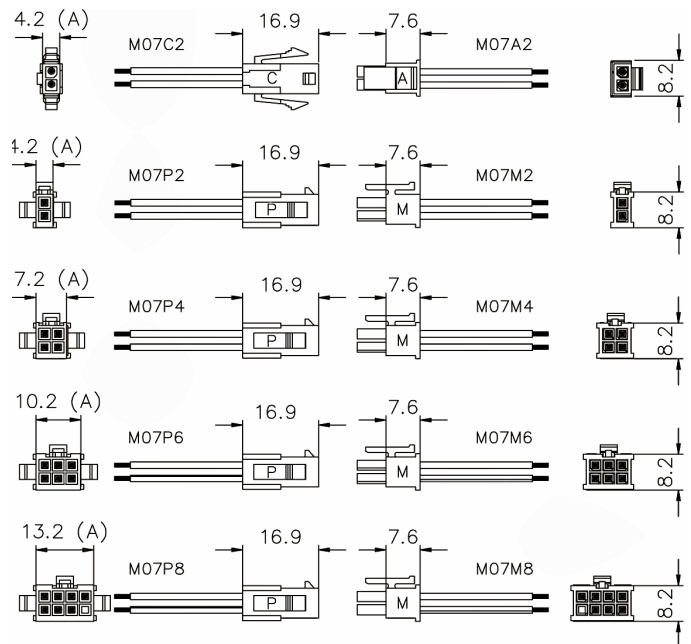
Approval marks:



- Connection device built with plug male + socket female to fix in panels with safety retaining tooth against the accidental opening:
 - external envelope in black PA66.
 - terminals in tin-plated phosphorous bronze crimped (or to be crimped) to the supply cables.
- Device suitable for the supply connection of LEDs lighting fixture from the power unit to the source.
- The device can be connected both with single-conductor cables and multi-conductors cables (for the cables, refer to "Section 9" of this catalogue).

M07A2: 2 poles male plug.
M07M2: 2 poles male plug.
M07M4: 4 poles male plug.
M07M6: 6 poles male plug.
M07M8: 8 poles male plug.

M07C2: 2 poles female socket to fix in panel.
M07P2: 2 poles female socket to fix in panel.
M07P4: 4 poles female socket to fix in panel.
M07P6: 6 poles female socket to fix in panel.
M07P8: 8 poles female socket to fix in panel.



- Fixing scheme

