

# CONNECTING DEVICES

**M124NC/3**

**M124NP/3**



Type:

**PROTECTED CONNECTION DEVICE  
SOCKET + PLUG WITH 3 POLES**

Rated voltage:

**250 V**

Impulse voltage:

**5 kV**

Rated current:

**32 A**

Working temperature:

**T 120°C**

Type of clamps to connect the cables:

**SCREW CLAMPS**

Clamps connecting capacity:

**1,50 ÷ 4,00 mm<sup>2</sup>**

Protection degree (IP):

**IP40**

In conformity to the standards:

**EN 61984**

In conformity to the requirements of the directive:

**2014/35/EU**

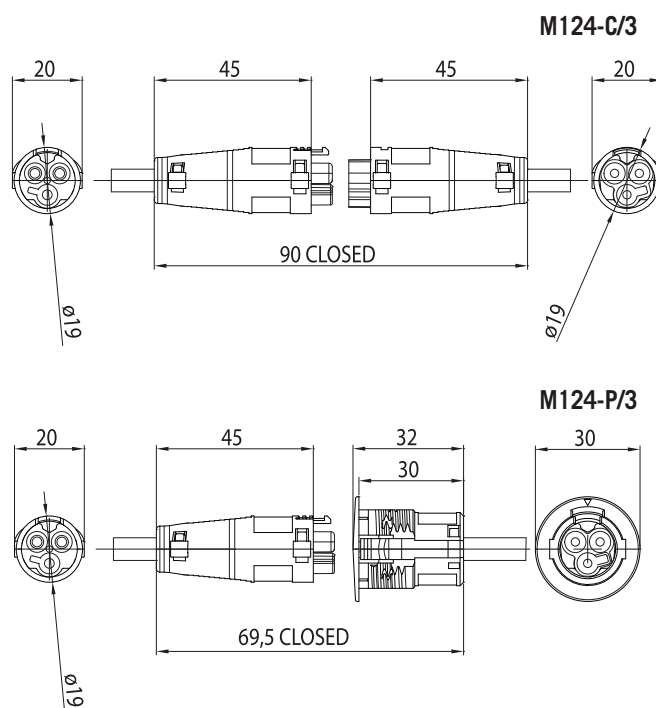


Approval marks:

- Protected connection device socket + plug with 3 poles with cable clamp and safe closure of the device against accidental opening:
  - external envelope to hold the male plug in black PA66.
  - external envelope to hold the female socket in black PA66.
  - housing parts for the contacts in PA66.
  - bush-clamps with screws with slot head.
  - cable-clamp devices to fix the cables from diameter 6 mm to diameter 10 mm.
  - envelope to hold the female socket to fix in panels (accessory).
- Device suitable to connect lighting fixtures to the power net or to accessories such as ballast for discharge lamps. It is also available the version with female socket to fix in panels.
- The device can be connected to multi-conductor cables, arranged with stripping 15 cm and crimped with cylindrical terminals (for the cables, refer to "Section 9" of this catalogue).

**M124NC/3:** male plug with external envelope and cable-clamps, + female socket, with external envelope and cable-clamps, with 3 poles.

**M124NP/3:** male plug with external envelope and cable-clamps, + female socket, with external envelope to fix in panels, with 3 poles.



# CONNECTING DEVICES

## M124NM/3

## M124NQ/3



Type:

**PROTECTED CONNECTION DEVICE  
SOCKET + PLUG WITH 3 POLES**

Rated voltage:  
Impulse voltage:  
Rated current:  
Working temperature:  
Type of clamps to connect the cables:  
Clamps connecting capacity:  
Protection degree (IP):  
In conformity to the standards:  
In conformity to the requirements of the directive:

**250 V**  
**5 kV**  
**8 A**  
**T 120°C**  
  
**CRIMPED**  
**0,75 ÷ 1,50 mm<sup>2</sup>**  
**IP40**  
**EN 61984**  
  
**2014/35/EU**



Approval marks:

- Protected connection device socket + plug with 3 poles with cable clamp and safe closure of the device against accidental opening:
  - external envelope to hold the male plug in black PA66.
  - external envelope to hold the female socket in black PA66.
  - housing parts for the contacts in PA66.
  - "cylindrical" terminals connected (or to be crimped) to the cables.
  - cable-clamp devices to fix the cables from diameter 6 mm to diameter 10 mm.
  - envelope to hold the female socket to fix in panels (accessory).
- Device suitable to connect lighting fixtures to the power net or to accessories such as ballast for discharge lamps. It is also available the version with female socket to fix in panels.
- The device can be connected to multi-conductor cables, arranged with stripping 15 cm and crimped with cylindrical terminals (for the cables, refer to "Section 9" of this catalogue).

**M124NM/3:** male plug with external envelope and cable-clamps, + female socket, with external envelope and cable-clamps, with 3 poles.

**M124NQ/3:** male plug with external envelope and cable-clamps, + female socket, with external envelope to fix in panels, with 3 poles.

