

CONNECTING DEVICES

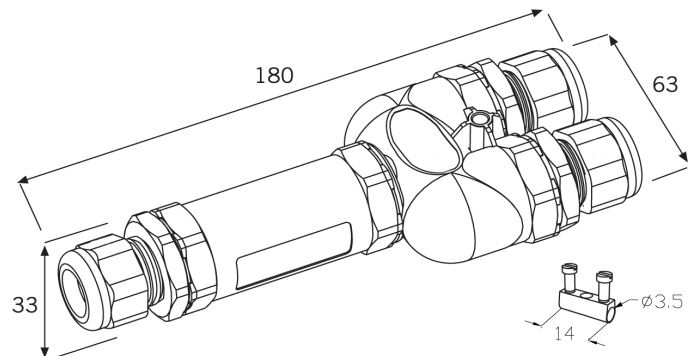
M139--



Type:	WATERTIGHT CLAMPS CONNECTING DEVICE 1 WAY IN - 2 WAYS OUT WITH 2, 3, 4, 5 OR 6 POLES
Rated voltage:	450 V
Impulse voltage:	6 kV
Rated current:	32 A (2-3 poles) 16 A (4-5-6 poles)
Working temperature:	T -40°C + 125°C
Type of clamps to connect the cables:	SCREW CLAMPS
Clamps connecting connect the cables:	0,50 ÷ 4,00 mm²
Protection degree (IP):	IP68 (2 bar)
In conformity to the standards:	EN 60998-1 / EN60998-2-1 EN 60529-1 EN 60335 (for the cable gland)
In conformity to the requirements of the directive:	2006/95/EC
Approval marks:	ENEC 03



- Watertight clamps connecting device with 2,3,4,5 or 6 poles:
 - external envelope in black PA66
 - housing parts for the contacts in PA66.
 - bush screw clamps, in nickel-plated brass, with slot screw in zinc-plated iron.
 - gaskets in thermoplastic TPE CR/NBR rubber.
 - cable glands in black PA66 with 24 mm hexagonal nut, for cables between 7 and 13,5 mm and 29 mm hexagonal nut, for cables between 8 and 17 mm.
- Device suitable to connect lighting fixtures to the power net, which grants an high protection degree against water.



M139MNAA/-: clamps connecting device with glands for cables between 7 and 13,5 mm, with 24 mm nuts, length 180 mm

M139MNBA/-: clamps connecting device with Line IN gland for cables between 8 and 17 mm, with 29 mm nut, and Line OUT glands for cables between 7 and 13,5 mm, with 24 mm nuts, length 180 mm.

M139MNBB/-: clamps connecting device with glands for cables between 8 and 17 mm, with 29 mm nuts, length 180 mm

- M139MN--/2:** connecting device in 2 poles version
- M139MN--/3:** connecting device in 3 poles (2 poles + ground) version
- M139MN--/4:** connecting device in 4 poles (3 poles + ground) version
- M139MN--/Q:** connecting device in 4 poles (without ground) version
- M139MN--/5:** connecting device in 5 poles (4 poles + ground) version
- M139MN--/6:** connecting device in 6 poles (5 poles + ground) version

- The cable clamp device can be connected to multi-conductor cables, arranged with unsheathing 25 mm, unsheathing 25 mm and tripping 6 mm or crimped with end-terminal (for the cables, refer to "Section 9" of this catalogue - suggested cables with external sheath in neoprene rubber).

