

CONNECTING DEVICES

M140-



Type:

**WATERTIGHT CLAMPS
CONNECTING DEVICE
1 WAY IN - 1 WAY OUT
WITH 2, 3, 4, 5 OR 6 POLES**

Rated voltage:
Impulse voltage:
Rated current:

**450 V
6 kV
25 A (2-3 poles)
16 A (4-5-6 poles)
T -40°C + 125°C**

Working temperature:

Type of clamps to
connect the cables:
Clamps connecting
connect the cables:

Protection degree (IP):

In conformity to the standards:

SCREW CLAMPS

**0,50 ÷ 4,00 mm²
IP68 (5 bar)
EN 60998-1 / EN60998-2-1
EN 60529-1
EN 60335 (for the cable gland)**

In conformity to the requirements
of the directive:

2014/35/EU

Approval marks:

ENEC 03

- Watertight clamps connecting device with 2, 3, 4, 5 or 6 poles:
 - external envelope in black PA66
 - housing parts for the contacts in PA66.
 - bush screw clamps, in nickel-plated brass, with slot screw in zinc-plated iron.
 - gaskets in thermoplastic SEBS rubber.
 - cable glands in black PA66.
 - for the version diameter 26,5 mm, 2 and 3 poles, with 24 mm hexagonal nut, for cables between 7 and 13 mm.
 - for the version diameter 32 mm, 4, 5 and 6 poles, with 29 mm hexagonal nut, for cables between 8 and 17 mm.
- Device suitable to connect lighting fixtures to the power net, which grants an high protection degree against water.

M140MN/2: clamps connecting device with 2 poles, diameter 26,5 mm, length 130 mm.

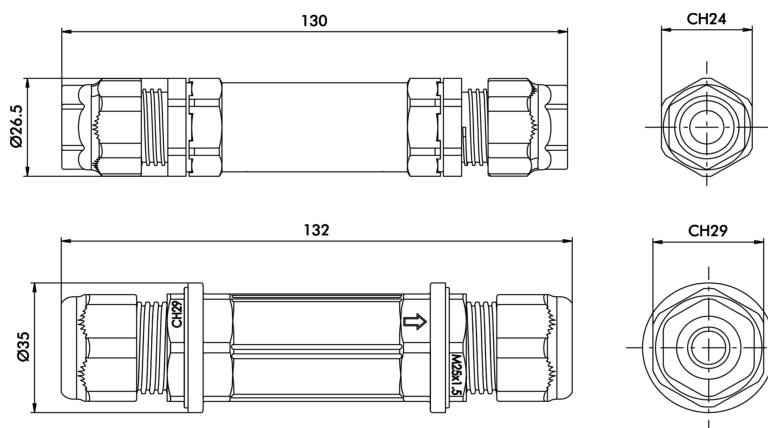
M140MN/3: clamps connecting device with 3 poles (2 poles + ground), diameter 26,5 mm, length 130 mm.

M140MN/4: clamps connecting device with 4 poles (3 poles + ground), diameter 35 mm, length 132 mm.

M140MN/Q: clamps connecting device with 4 poles (without ground), diameter 35 mm, length 132mm.

M140MN/5: clamps connecting device with 5 poles, (4 poles + ground), diameter 35 mm, length 132 mm.

M140MN/6: clamps connecting device with 6 poles, (5 poles + ground), diameter 35 mm, length 132 mm



- The cable clamp device can be connected to multi-conductor cables, arranged with unsheathing 25 mm and stripping 6 mm or crimped with end-terminal (for the cables, refer to "Section 9" of this catalogue - suggested cables with external sheath in neoprene rubber).

