

CONNECTING DEVICES

M141-



Type:

**WATERTIGHT CLAMPS
CONNECTING DEVICE
1 WAY IN - 1 WAY OUT WITH
2, 3 OR 4 POLES**

Rated voltage:

450 V

Rated current:

32 A

Working temperature:

T -40°C + 125°C

Type of clamps to
connect the cables:

SCREW CLAMPS

Clamps connecting
connect the cables:

0,50 ÷ 4,00 mm²

Protection degree (IP):

IP68 (1 bar)

In conformity to the standards:

**EN 60998-1 / EN60998-2-1 EN
60529-1**

EN 60335 (for the cable gland)

In conformity to the requirements
of the directive:

2014/35/EU

Approval marks:

ENEC 03



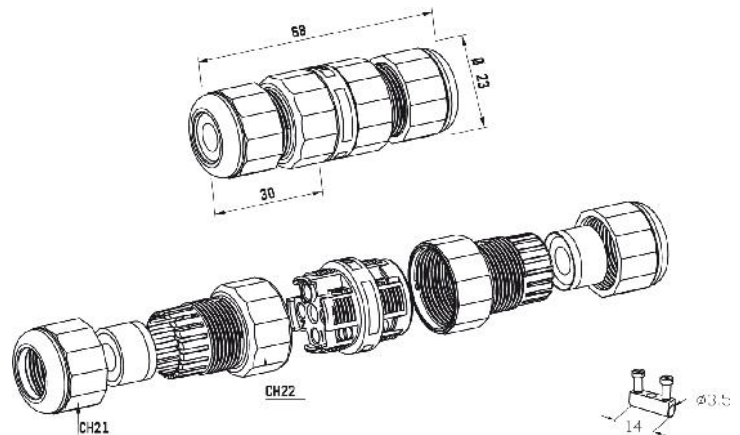
- Watertight clamps connecting device with 2, 3 or 4 poles:
 - external envelope in black PA66
 - housing parts for the contacts in PA66.
 - bush screw clamps, in nickel-plated brass, with slot screw in zinc-plated iron.
 - gaskets in thermoplastic TPE rubber.
 - cable gland in black PA66, with 21,3 mm hexagonal nut, for cables between 7 and 12 mm.
- Device suitable to connect lighting fixtures to the power net, which grants an high protection degree against water.

M141MN/2: clamps connecting device with 2 poles, diameter 23 mm, length 68 mm.

M141MN/3: clamps connecting device with 3 poles (2 poles + ground), diameter 23 mm, length 68 mm.

M141MN/4: clamps connecting device with 4 poles (3 poles + ground), diameter 23 mm, length 68 mm.

M141MN/Q: clamps connecting device with 4 poles (without ground), diameter 23 mm, length 68 mm.



- The cable clamp device can be connected to multi-conductor cables, unsheathing 20 mm and stripping 6 mm or crimped with end-terminal (for the cables, refer to "Section 9" of this catalogue - suggested cables with external sheath in neoprene rubber).

