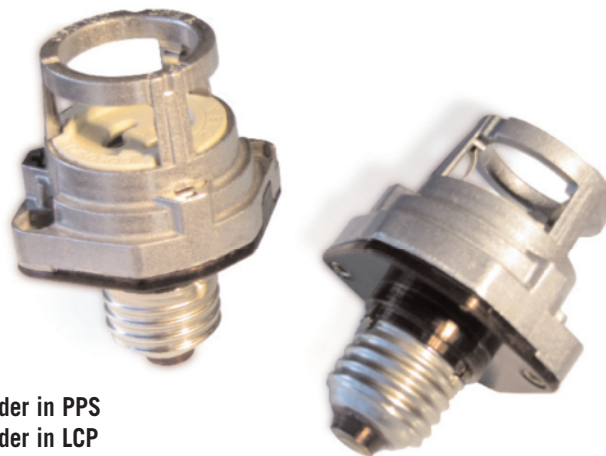


# ADAPTERS WITH LAMPHOLDER FOR DISCHARGE LAMPS

**M203/A91**

2010



**Adapter with lampholder:**

**E26 + PGZ12**

Maximum power:

**660 W**

Rated voltage:

**600 V**

Impulse voltage:

**4 kV**

Working temperature of the part with the E26 screw shell:

**T 200°C with internal holder in PPS**

**T 240°C with internal holder in LCP**

Working temperature of the part lampholder PGZ12:

**T 250°C**

In conformity to the standards:

**UL 496**

**CSA 22.2 N.43**

Approval marks:

**cULus**

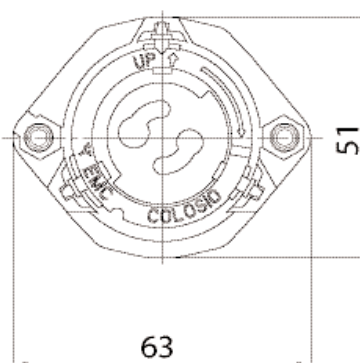
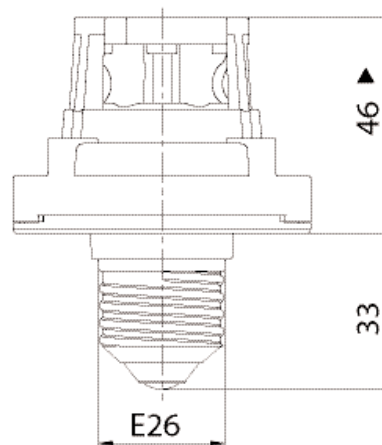
**M203/A91:** Adapter with cap E26 (Medium base) with lampholder PGZ12, our code A91, with temperature of the part screw shell limited to T200°C.

**M203/A91H:** Adapter with cap E26 (Medium base) with lampholder PGZ12, our code A91, with temperature of the part screw shell limited to T240°C.

- For the technical characteristics of the lampholder PGZ12, our code A91, refer to the pages 271 and 270 of this catalogue.

- For the adapter part:  
Screw shell in nickel-plated brass.  
Internal housing in PPS T200°C or in LCP T240°C.
- For the lampholder part:  
Steatite body.  
External envelope in diecast aluminium.  
Contacts in special silver-plated alloy.  
Springs for the positioning of the lamp in stainless steel.  
Leaf springs for the centering of the lamp in stainless steel.

- Weight: 135 g.



▲ Reference plane

