

# KNIFE SWITCHES - DISCONNECTING DEVICES

**M26N** 2014



Type: **2 POLES + 4 POLES KNIFE SWITCH**

Rated AC voltage: **400 V AC (300 V DC)**

Impulse voltage: **5 kV**

Rated AC current: **20 A AC (14 A DC)**

Resistance to surface currents: **TK 175**

Working temperature: **T 120°C**

Insulation class: **II**

Type of clamps to connect the cables: **SCREW CLAMPS**

Clamps connecting capacity: **0,75 ÷ 2,50 mm<sup>2</sup>**

Overvoltage category: **III**

Protection degree (IP): **IP20**

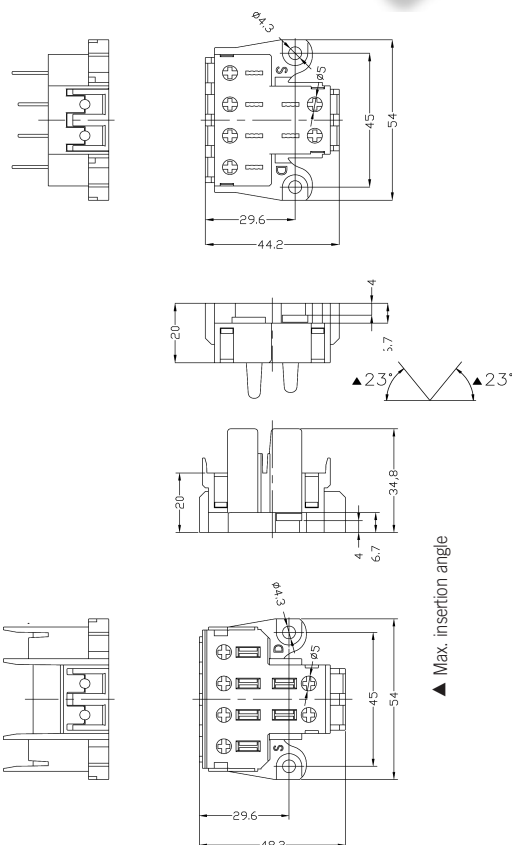
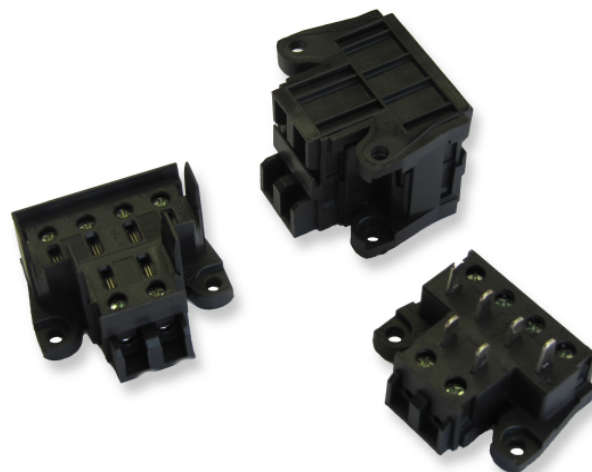
In conformity to the standards: **EN 60598-1**

In conformity to the requirements of the directive: **2014/35/EU**

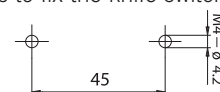
Approval marks: **CSV-IMQ**

**M26N:** Knife-switch with 2 poles for the Line In + 2 poles for the Line Out + 2 poles for the internal circuit

- Body in black thermoplastic material PA66 30% G.F. - V0.  
Contacts in nickel-plated copper alloy.  
Reinforcing spring for the contacts in steel Aisi 301.  
Bush-clamps with screws with combined slot+cross head, for cables section from 0,75 mm<sup>2</sup> to 2,50 mm<sup>2</sup>.  
Leaf for the protection of the strands of the core, inserted in the bush.
- Weight: 90 g.



- Instructions to fix the knife switch on structures.



- Fixing of the knife switch using the holes diameter 4,2 mm with center distance 45 mm.

