

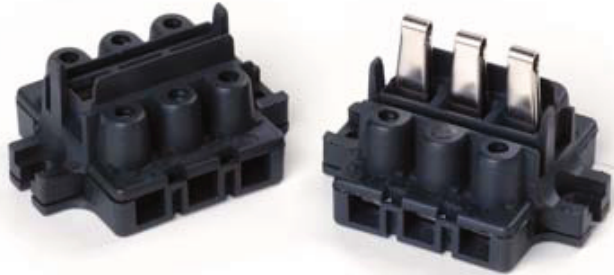
KNIFE SWITCHES - DISCONNECTING DEVICES

M29

2000



Type:	3 POLES KNIFE SWITCH
Rated voltage:	400 V
Rated current:	16 A (10 A for M29E)
Resistance to surface currents:	TK 175
Working temperature:	T 120°C
Insulation class:	II
Type of clamps to connect the cables:	SCREW CLAMPS
Clamps connecting capacity:	0,75 ÷ 2,50 mm²
Overvoltage category:	III
Protection degree (IP):	IP20
In conformity to the standards:	EN 60598-1
In conformity to the requirements of the directive:	2006/95/EC
Approval marks:	CSv - IMQ

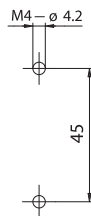


- M29:** knife switch with rated current 16 A.
- M29E:** knife switch with rated current 10 A.
- M29-H:** knife switch as M29 or M29E with black PPS body and with working temperature T220°C.

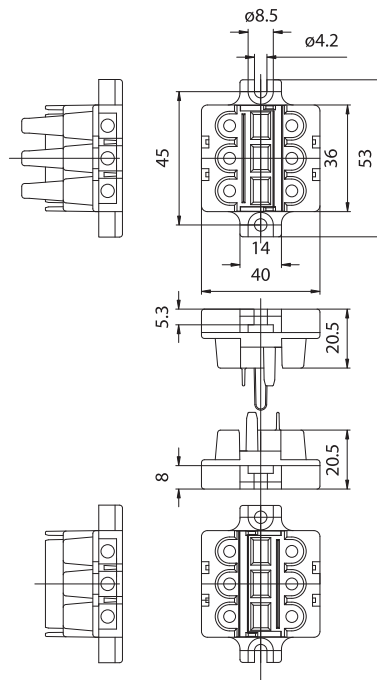
- Body in black thermoplastic material PA66 20% G.F. - V0. Contacts in nickel-plated phosphorous bronze. Bush-clamps with screws with combined slot+cross head, for cables section from 0,75 mm² to 2,5 mm².
- Weight: 75 g.

Note: to tighten the clamps screws, use a screwdriver with max. diameter 3,5 mm.

- Instructions to fix the knife switch on structures.



- Fixing of the knife switch using the holes diameter 4,2 mm with center distance 45 mm (if M4 screws are used, the head-diameter should be less than 8,3 mm).



▲ Max. insertion angle

Attention: the knife switch is provided to be used in internal wiring of lighting fixtures. It is not foreseen that an installer can connect this device to the net.



KNIFE SWITCHES - DISCONNECTING DEVICES

M29B 2000



Type:	2 POLES KNIFE SWITCH
Rated voltage:	400 V
Rated current:	16 A (10 A for M29BE)
Resistance to surface currents:	TK 175
Working temperature:	T 120°C
Insulation class:	II
Type of clamps to connect the cables:	SCREW CLAMPS
Clamps connecting capacity:	0,75 ÷ 2,50 mm²
Overvoltage category:	III
Protection degree (IP):	IP20
In conformity to the standards:	EN 60598-1
In conformity to the requirements of the directive:	2006/95/EC
Approval marks:	CSv - IMQ

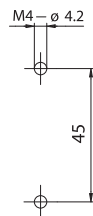


- M29B:** knife switch with rated current 16 A.
- M29BE:** knife switch with rated current 10 A.
- M29B-H:** knife switch as M29B or M29BE with black PPS body and with working temperature T220°C.

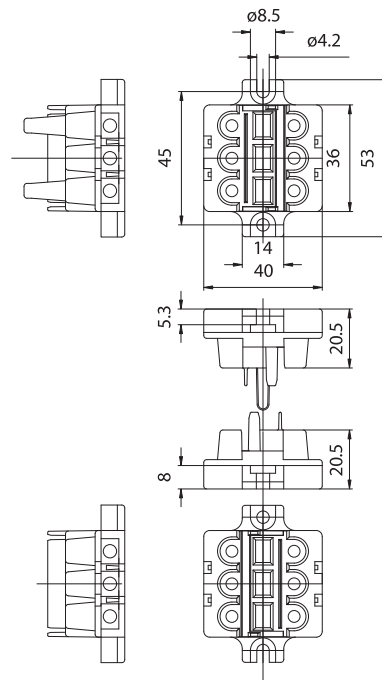
- Body in black thermoplastic material PA66 20% G.F. - V0. Contacts in nickel-plated phosphorous bronze. Bush-clamps with screws with combined slot+cross head, for cables section from 0,75 mm² to 2,5 mm².
- Weight: 75 g.

Note: to tighten the clamps screws, use a screwdriver with max. diameter 3,5 mm.

- Instructions to fix the knife switch on structures.



- Fixing of the knife switch using the holes diameter 4,2 mm with center distance 45 mm (if M4 screws are used, the head-diameter should be less than 8,3 mm).



▲ Max. insertion angle

Attention: the knife switch is provided to be used in internal wiring of lighting fixtures. It is not foreseen that an installer can connect this device to the net.



KNIFE SWITCHES - DISCONNECTING DEVICES

M29T 2000



Type: **2 POLES KNIFE SWITCH + GROUND**

Rated voltage: **400 V**

Rated current: **16 A (10 A for M29TE)**

Resistance to surface currents: **TK 175**

Working temperature: **T 120°C**

Insulation class: **I**

Type of clamps to connect the cables: **SCREW CLAMPS**

Clamps connecting capacity: **0,75 ÷ 2,50 mm²**

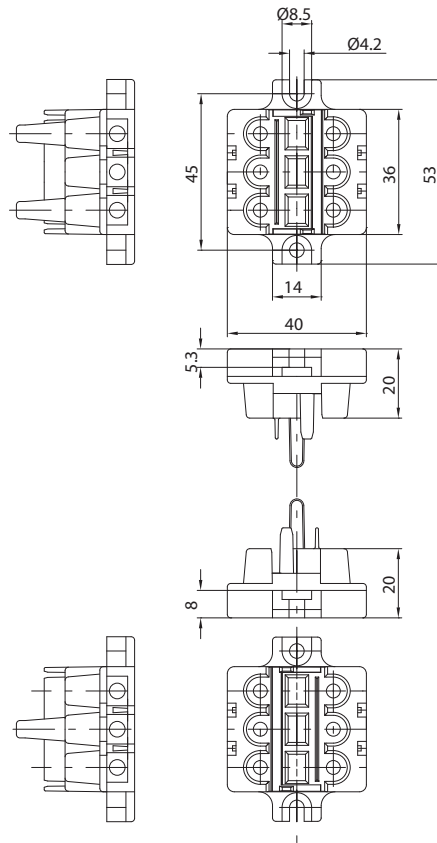
Overvoltage category: **III**

Protection degree (IP): **IP20**

In conformity to the standards: **EN 60598-1**

In conformity to the requirements of the directive: **2006/95/EC**

Approval marks: **CSv - IMQ**



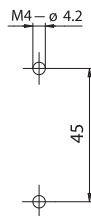
▲ Max. insertion angle

M29T: knife switch with rated current 16 A.
M29TE: knife switch with rated current 10 A.
M29T-H: knife switch as M29T or M29TE with black PPS body and with working temperature T220°C.

- Body in black thermoplastic material PA66 20% G.F. - V0. Contacts in nickel-plated phosphorous bronze. Bush-clamps with screws with combined slot+cross head, for cables section from 0,75 mm² to 2,5 mm².
- Weight: 75 g.

Note: to tighten the clamps screws, use a screwdriver with max. diameter 3,5 mm.

- Instructions to fix the knife switch on structures.



- Fixing of the knife switch using the holes diameter 4,2 mm with center distance 45 mm (if M4 screws are used, the head-diameter should be less than 8,3 mm).

Attention: the knife switch is provided to be used in internal wiring of lighting fixtures. It is not foreseen that an installer can connect this device to the net.



KNIFE SWITCHES - DISCONNECTING DEVICES

M29A-M29HA

M29EA-M29EHA

2000

M29BA-M29BHA

M29BEA-M29BEHA

M29TA-M29THA

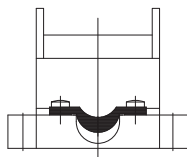
M29TEA-M29TEHA



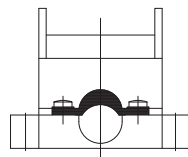
Knife switch of line M29- with cable clamp for electrical cables with maximum diameter 13 mm, fixed in the “female” part of the knife switch.

- Additional weight: +10 g.

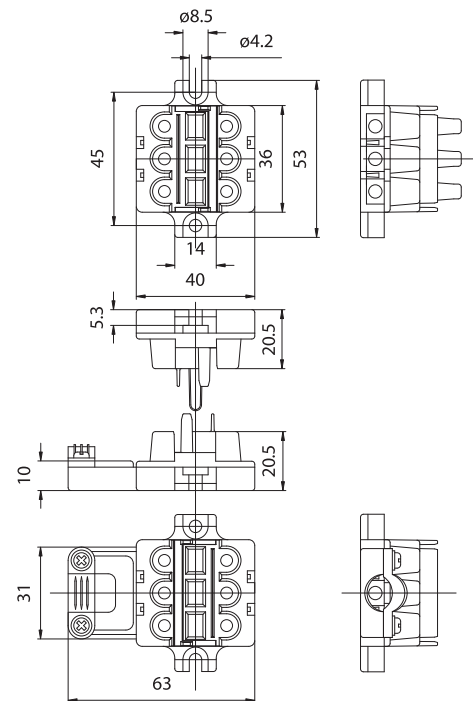
- The fastening of the cable clamp occurs by two thread-forming screws for plastic, with cross head, already inserted in the device according to the following indications:



A



B



▲ Max. insertion angle

- Cable clamp bracket in position A: allows to clamp up to three single-conductor cables with diameter 4 mm.
- Cable clamp bracket in position B: allows to clamp up to multi-conductor cables with maximum diameter 13 mm.

