

KNIFE SWITCHES - DISCONNECTING DEVICES

M29B 2000



Type:	2 POLES KNIFE SWITCH
Rated voltage:	400 V
Rated current:	16 A (10 A for M29BE)
Resistance to surface currents:	TK 175
Working temperature:	T 120°C
Insulation class:	II
Type of clamps to connect the cables:	SCREW CLAMPS
Clamps connecting capacity:	0,75 ÷ 2,50 mm²
Overvoltage category:	III
Protection degree (IP):	IP20
In conformity to the standards:	EN 60598-1
In conformity to the requirements of the directive:	2014/35/EU
Approval marks:	CSv - IMQ

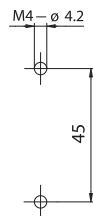


- M29B:** knife switch with rated current 16 A.
- M29BE:** knife switch with rated current 10 A.
- M29B-H:** knife switch as M29B or M29BE with black PPS body and with working temperature T220°C.

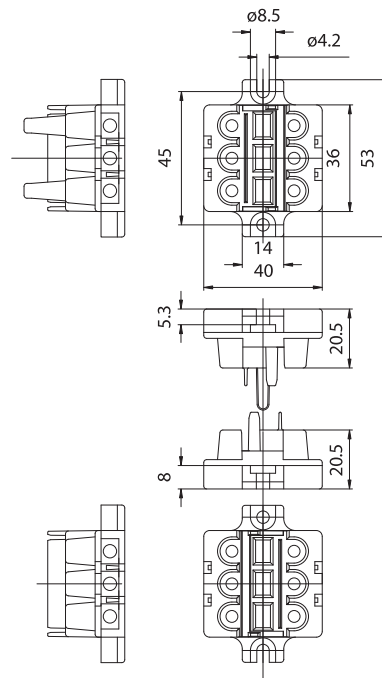
- Body in black thermoplastic material PA66 20% G.F. - V0. Contacts in nickel-plated phosphorous bronze. Bush-clamps with screws with combined slot+cross head, for cables section from 0,75 mm² to 2,5 mm².
- Weight: 75 g.

Note: to tighten the clamps screws, use a screwdriver with max. diameter 3,5 mm.

- Instructions to fix the knife switch on structures.



- Fixing of the knife switch using the holes diameter 4,2 mm with center distance 45 mm (if M4 screws are used, the head-diameter should be less than 8,3 mm).



▲ Max. insertion angle

Attention: the knife switch is provided to be used in the internal wiring of lighting fixtures. It is not foreseen that an installer can connect this device to the net.

