

KNIFE SWITCHES - DISCONNECTING DEVICES

M29T 2000



Type: **2 POLES KNIFE SWITCH + GROUND**

Rated voltage: **400 V**

Rated current: **16 A (10 A for M29TE)**

Resistance to surface currents: **TK 175**

Working temperature: **T 120°C**

Insulation class: **I**

Type of clamps to connect the cables: **SCREW CLAMPS**

Clamps connecting capacity: **0,75 ÷ 2,50 mm²**

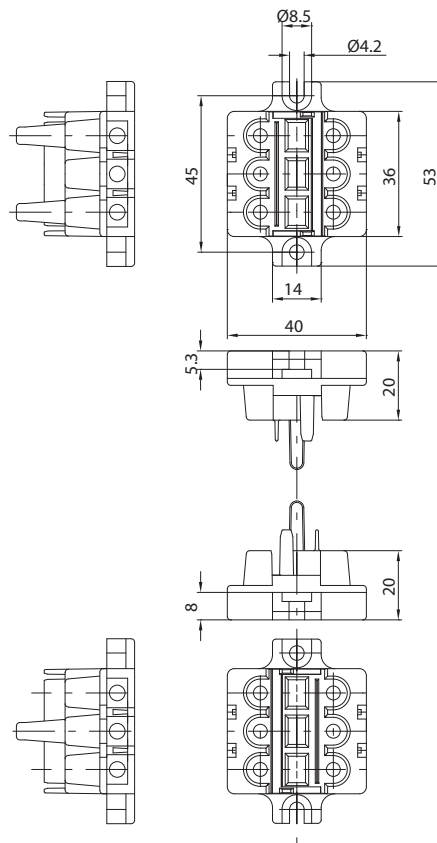
Overvoltage category: **III**

Protection degree (IP): **IP20**

In conformity to the standards: **EN 60598-1**

In conformity to the requirements of the directive: **2014/35/EU**

Approval marks: **CSv - IMQ**



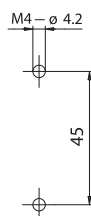
▲ Max. insertion angle

M29T: knife switch with rated current 16 A.
M29TE: knife switch with rated current 10 A.
M29T-H: knife switch as M29T or M29TE with black PPS body and with working temperature T220°C.

- Body in black thermoplastic material PA66 20% G.F. - V0. Contacts in nickel-plated phosphorous bronze. Bush-clamps with screws with combined slot+cross head, for cables section from 0,75 mm² to 2,5 mm².
- Weight: 75 g.

Note: to tighten the clamps screws, use a screwdriver with max. diameter 3,5 mm.

- Instructions to fix the knife switch on structures.



- Fixing of the knife switch using the holes diameter 4,2 mm with center distance 45 mm (if M4 screws are used, the head-diameter should be less than 8,3 mm).

Attention: the knife switch is provided to be used in the internal wiring of lighting fixtures. It is not foreseen that an installer can connect this device to the net.

