

SHORTING CAP - LOCKING TYPE PLUG

M401

2019



Type: **SHORTING CAP-LOCKING TYPE PLUG,
FOR PHOTOCONTROL PLUG-IN LOCKING TYPE SOCKET**

Rated voltage: **480 V AC/DC**

Rated current: **16 A**

Working temperature: **T -30°C - T 90°C**

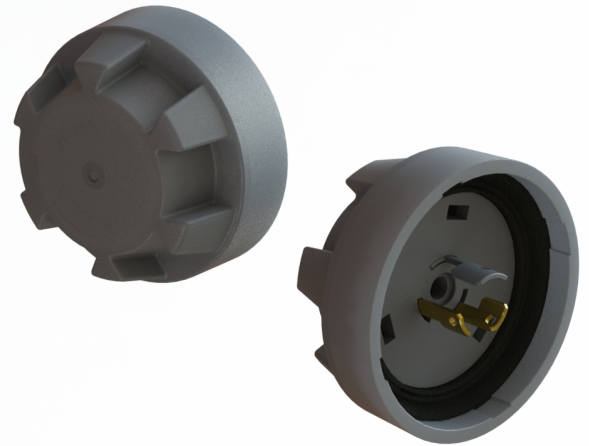
Protection degree (IP): **IP44 (IP66*)**

Impact resistance: **IK08***

In conformity to the standards: **EN60598-1: 2015**
(Following the ANSI C136.41-2013 and ANSI C136.10-2017 as far as applicable)

In conformity to the requirements of the directive: **2014/35/EU**

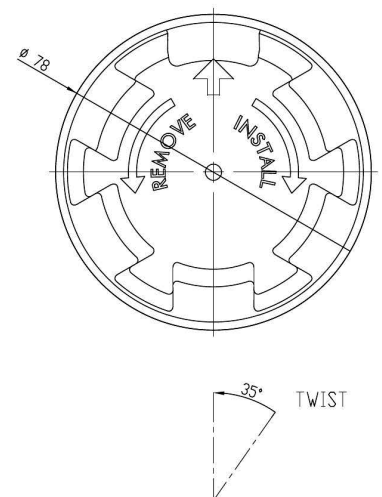
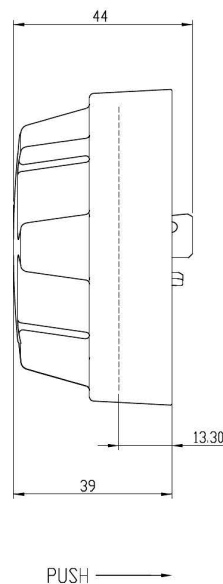
Approval marks:



M401-: Cap adapter for photocontrol plug-in type socket, that can be used to close the circuit between line and load in the case where the lighting fixture will not use a photocontrol unit.

- External envelope in black thermoplastic PP material
 - Internal envelopes that hold the contacts in black thermoplastic material PA66 25% F.G. V0
 - Power contact in raw brass to “bridge” / close the circuit between the contact for the phase Line-Out and the contact for the phase Line-In of the socket.
 - Neutral pin in thermoplastic material PA66 25% F.G. V0
 - Gasket in TPE rubber.

***Note: IP66 protection degree and resistance to IK08 shocks shall be verified when coupled to the used photocontrol plug-in locking type socket.**



- Weight: 90 g.

- Fixing of the cap-adapter twisting 35° clockwise in the socket.

