

SOCKET-CONNECTOR FOR PHOTO-CONTROL

M404H

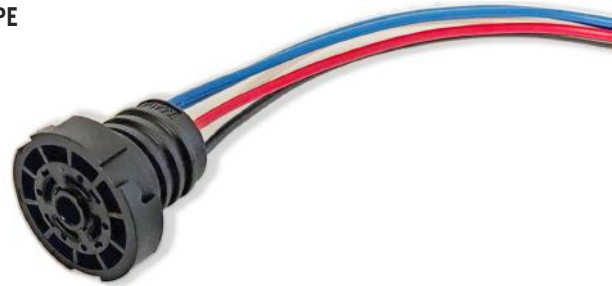


Type: **CONNECTOR-SOCKET TWIST-LOCK TYPE
ZHAGA BOOK18 4 POLES**

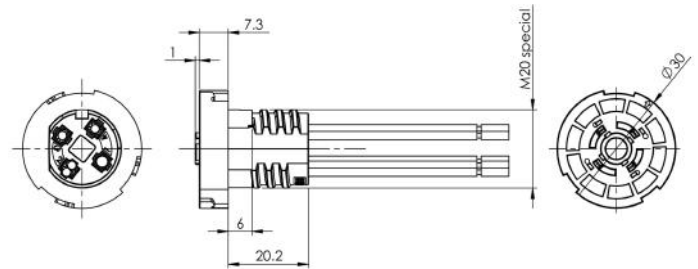
Rated voltage: **30 V dc**
Rated current: **1,5 A**

Working temperature: **T -30°C ÷ T 110°C**

Type of clamps to connect the cables: **CRIMPED**
Clamps connecting capacity: **0,50 ÷ 1,00 mm²**
Protection degree (IP): **IP20 / IP66***
Impact resistance: **IK08***
In conformity to the standards: **EN 60598-1:2021
(as far as applicable)**



Approval marks:



M404H: 4 poles socket-connector for the connection of Zhaga Book 18 photo-control units.

- Envelope in black PBT
- Contacts in special material
- PVC insulated cables section 0.50 mm² standard

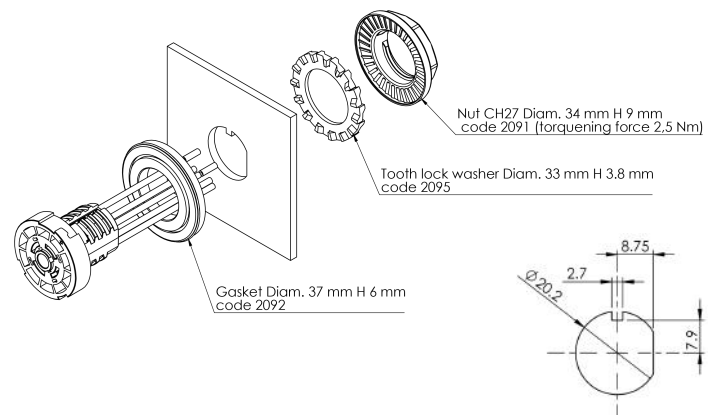
·Accessory gasket in black TPE rubber, art. 2092, included.
·Accessory tooth lock washer in steel, art. 2095, included.
·Accessory fixing nut in PA66, art. 2091, included.
·Accessory sealing cap in PP, art. M404T, optional.

***Note: IP66 protection grade and resistance to IK08 shocks are achieved in combination with the control device or with the sealing cap code M404T.**

- Instructions for fixing on structures with thickness from 1 to 4,7 mm.

Attention: in order to guarantee the IP66 protection grade the device must be fixed on the structure by applying a torquening force of 2,5 Nm.

- Weight of the connector in the standard version (with cables L=25 cm): 21 g



Connection scheme:

- Pin 1: Power supply: positive (+) 24 V dc .
- Pin 2: DALI: negative (-)/common.
- Pin 3: DALI: positive (+).
- Pin 4: I/O general digital.

