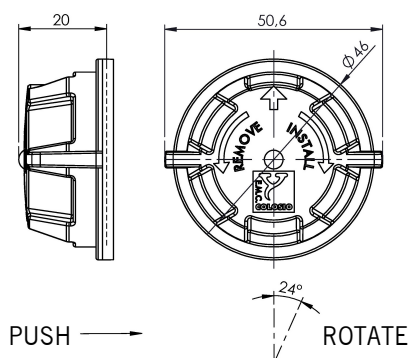


CLOSING CAP FOR PHOTOCONTROL SOCKET-CONNECTOR

M404T



Art. M404T: closing cap for socket/connector for photocontrol series M404-.

Working temperature: **T -30°C - T 70°C**
Protection degree (IP): **IP66(*)**
Impact resistance: **IK08**

(*)Note: the IP66 protection degree is reached when the cap is combined with the connector/socket M404-.

- Envelope in black Polycarbonate (PC)
- Weight: 12,4 g.
- Fixing of the sealing cap by rotating 24° clockwise on the connector.

