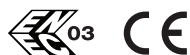


SWITCH SERIES "UNICO"

M60-



Switch:

**SWITCH
FOR TABLE LAMPS
SERIES "UNICO"**

Rated voltage:

250 Vac

Rated current:

2 (1) A

Insulation class:

II

Type of clamps for cables connection:

CRIMPED CLAMPS

Clamps connecting capacity:

0.75 mm²

Protection degree:

IP40

In conformity to the standards:

EN 61058-2

In conformity to the requirements of the directive:

2014/35/EU

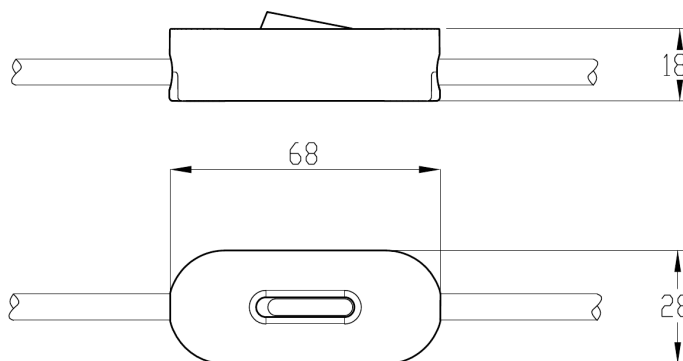
Approval marks:

ENEC 03

M60N: switch in version with black envelope

M60B: switch in version with white envelope

M60E: switch in version with grey envelope



• Table of cables connected to the switch:

Insulation	Shape	Section	Temperature	Type	Code
PVC + PVC	flat	2 x 0,75 mm ²	T70°C	H03VWH2-F	RRP7-
PVC + PVC	flat	2 x 0,75 mm ²	T90°C	H03V2V2H2-F	RHP7-
PVC + PVC	round	2 x 0,75 mm ²	T70°C	H03WV-F	RR27-
PVC + PVC	round	2 x 0,75 mm ²	T90°C	H03V2V2-F	RH27-
PVC + PVC	round	2 x 0,75 mm ²	T70°C	H05WV-F	RC27-
PVC + PVC	round	2 x 0,75 mm ²	T90°C	H05V2V2-F	RF27-
RUBBER + RUBBER	round	2 x 0,75 mm ²	T70°C	H05RN-F	NC27N
PVC + PVC + FABRIC	flat	2 x 0,75 mm ²	T70°C (+T70°C)	(H03VWH2-F)	RRP7X-
PVC + PVC + FABRIC	flat	2 x 0,75 mm ²	T90°C (+T70°C)	(H03V2V2H2-F)	RHP7X-
PVC + PVC + FABRIC	round	2 x 0,75 mm ²	T70°C (+T70°C)	(H03WV-F)	RR27X-
PVC + PVC + FABRIC	round	2 x 0,75 mm ²	T90°C (+T70°C)	(H03V2V2-F)	RH27X-

Notes:

- *Non rewirable mechanical switch.*
- *It is possible to supply the switch connected to a wiring with European 2-pole plug with cable length and working of the free ends according to customer's specifications.*
- *Available also in version with bipolar switch (ref. M60Z)*
- Envelopes in ABS.
Rocker button in PC.
Contact-holding insert in PA6.
Cable clamp bridge in PA66.
Contacts in brass and phosphorous bronze.
Closing screws in zinc-plated iron. (screws not to be dismantled / one way).
Screw-covering plate in ABS.

The switch of M60- UNICO series must be supplied already provided with cables.



SWITCH SERIES "UNICO"

M60-



Switch:

**SWITCH
FOR TABLE LAMPS
SERIES "UNICO"**

Rated voltage:

250 Vac

Rated current:

2 (1) A

Category:

WHAC, WHAC7 - SWITCHES FOR APPLIANCES

Type of clamps for cables connection:

CRIMPED CLAMPS

Clamps connecting capacity:

AWG 18

In conformity to the standards:

IEC 61058-1

Approval marks:

cULus LISTED



M60N: switch in version with black envelope

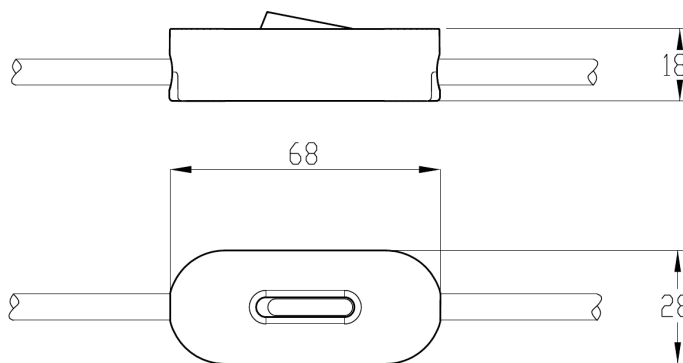
M60B: switch in version with white envelope

M60E: switch in version with grey envelope

- Table of cables connected to the switch:

Insulation	Shape	AWG	Temperature	Type	Code
PVC	flat	2 x 18	T105°C	SPT-2	YD28-
PVC + PVC	round	2 x 18	T105°C	SVT	WV28-
PVC + PVC	round	3 x 18	T105°C	SVT	WV38-
PVC + PVC + COLOURED FABRIC	round	2 x 18	T105°C	SVT-B	WV28X--
PVC + PVC + COLOURED FABRIC	round	3 x 18	T105°C	SVT-B	WV38X--

The switch of M60- UNICO series must be supplied already provided with cables.



Notes:

- *Non rewirable mechanical switch.*
- *It is possible to supply the switch connected to a wiring with USA 2 pole plug or USA 2 pole + ground plug with cable length and working of the free ends according to customer's specifications.*

- Envelopes in ABS.
- Rocker button in PC.
- Contact-holding insert in PA6.
- Cable clamp bridge in PA66.
- Contacts in brass and phosphorous bronze.
- Closing screws in zinc-plated iron. (screws not to be dismantled / one way).
- Screw-covering plate in ABS.

