

SWITCH SERIES "UNICO"

M60A-



Switch:

**SWITCH
FOR TABLE LAMPS
SERIES "UNICO"**

Rated voltage:

250 Vac

Rated current:

2 (1) A

Insulation class:

II

Type of clamps for cables
connection:

CRIMPED CLAMPS

Clamps connecting capacity:

0.75 mm²

Protection degree:

IP40

In conformity to the standards:

EN 61058-2

In conformity to the requirements
of the directive:

2014/35/EU

Approval marks:

IMQ



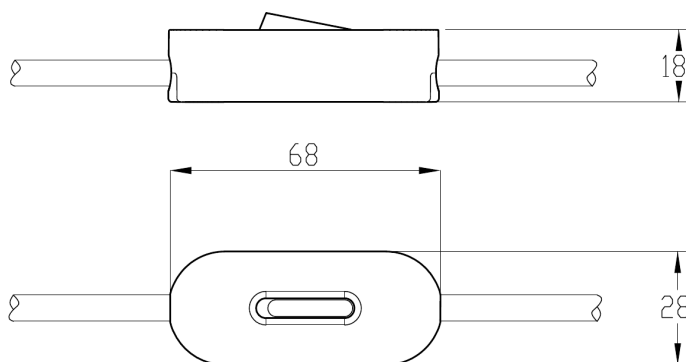
M60AN: switch in version with black envelope

M60AB: switch in version with white envelope

M60AE: switch in version with grey envelope

• Table of cables connectable to the switch:

Insulation	Shape	Section	Temperature	Type	Code
PVC + PVC TRANSPARENT	flat	2 x 0,75 mm ²	T70°C	FRDR	RSP7T
PVC + PVC TRANSPARENT	round	2 x 0,75 mm ²	T70°C	FROR	RS27T
FEP + PVC TRANSPARENT	flat	2 x 0,75 mm ²	T70°C (T180°C the cores)	FR5FDR	BSP7T
FEP + PVC TRANSPARENT	round	2 x 0,75 mm ²	T70°C (T180°C the cores)	FR5FOR	BS27T



Notes:

- *Non rewirable mechanical switch.*
- *It is possible to supply the switch connected to a wiring with European 2-pole plug with cable length and working of the free ends according to customer's specifications.*

The switch of M60A- Unico series must be supplied already provided with cables.

- Envelopes in ABS.
- Rocker button in PC.
- Contact-holding insert in PA6.
- Cable clamp bridge in PA66.
- Contacts in brass and phosphorous bronze.
- Closing screws in zinc-plated iron (screws not to be dismantled / one way).
- Screw-covering plate in ABS.

