

PLUGS

M75E-



Plug:

"ENGLISH" PLUG
2 poles + ground
with 13 A fuse

Rated voltage:

250 V

Rated current:

13 A (13 A FUSE)

Insulation class:

I

Type of clamps for

cables connection:

SCREW CLAMPS
SQUARE (90°)

Cable exit:

Protection degree:

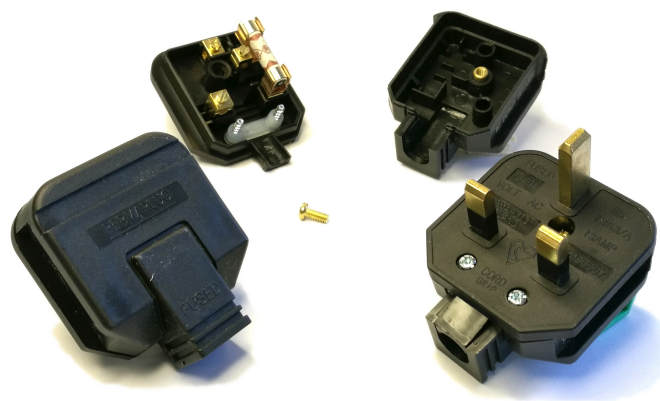
IP20

In conformity to the standards:

BS1363/A

Approval marks:

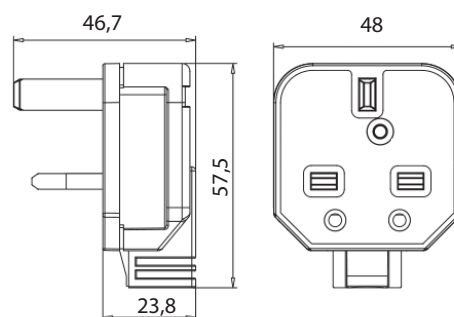
BSI



Plug for OUTDOOR applications.

- Table of the cables that can be connected to the plug:

Insulation	Shape	Sections	Temperature	Type	cod./page
RUBBER + RUBBER	round	3 x 0,75 mm ²	T70°C	H05RN-F	NC37N (pag. 9048)
RUBBER + RUBBER	round	3 x 1,00 mm ²	T70°C	H05RN-F	NC31N (pag. 9048)
RUBBER + RUBBER	round	3 x 0,75 mm ²	T70°C	H07RN-F	NN31N (pag. 9049)



- Envelope in PVC.
 Brass contacts.

- Table of the available colours:
N = black
B = white

- Other colours on request.

