

SOCKET FOR PLUGS - CONNECTORS

M79F-

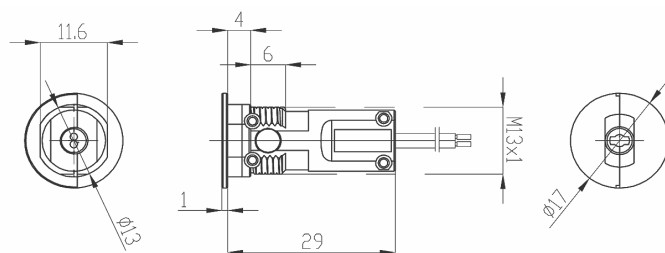
2014

Socket:	FEMALE SOCKET FOR PLUG-CONNECTOR M79-
Rated tension:	48 V
Rated current:	1 A
Working temperature:	T 90°C
Insulation class:	III
Type of clamps for cables connection:	CRIMPED CLAMPS
Protection degree:	IP20

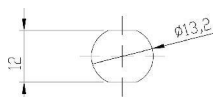


Approval marks:

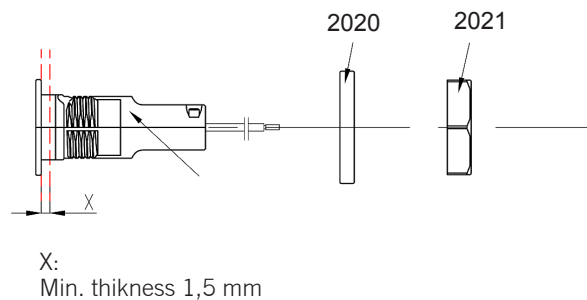
M79F-: panel insert female socket with fixing by thread M13 x1 (the code has enclosed the ring, item 2020, and the nut M13 x1, item 2021).



• Instructions to fix the socket on the structure:



• Fixing of the socket by thread M13 x1 on the socket external envelope. The device shall be inserted in a hole diameter 13,2 mm, with two lateral milling in order to prevent the rotation, carried out on walls with thickness starting from 1,5 mm (dimension X) using the spacer washer art. 2020 and the nut M13 x1 art. 2021.



• Table of **single core** cables connected to the socket:

Insulation	T in °C	Conduct.	Available sections in mm ²		
			0,35	0,50	0,75
PVC	90	Cu	•	•	•
FEP	180	CuSn	•	•	•

- Body in PA66.
- Table of available colors:
N = black
B = white
- Other colors on request

