

# SOCKET FOR PLUGS - CONNECTORS

## M79P-

2014

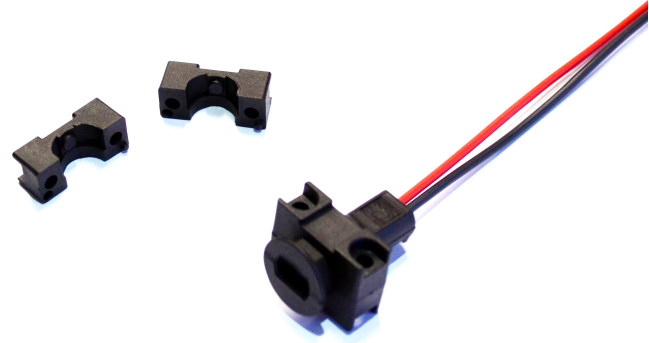
Socket:

**FEMALE SOCKET FOR  
PLUG-CONNECTOR M79-**

Rated tension:  
Rated current:  
Insulation class:  
Type of clamps for  
cables connection:  
Protection degree:

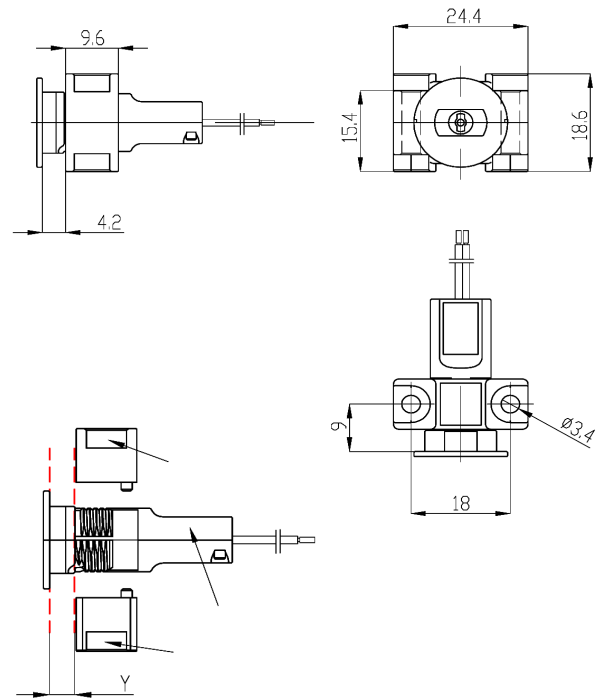
**48 V  
1 A  
III**

**CRIMPED CLAMPS  
IP20**

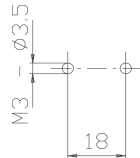


Approval marks:

**M79P-**: female panel insert socket, fastened with support with holes wheelbase 18 mm with diameter 3.4 mm, by screws (the code includes two accessories support item 2022).



- Instruction to fix the socket on the structure.



- Fixing of the socket by M3 screws to be inserted in the holes of the accessories support with center distance 18 mm. The device shall be inserted in a hole diameter 13,2 mm carried out on walls with thickness till 4,0 mm (dimension Y) using the two accessories support art. 2022 (minimum length of the screws 20 mm).

- Table of **single core** connected to the socket:

Insulation	T in °C	Conduct.	Available section in mm <sup>2</sup>		
			0,35	0,50	0,75
PVC	90	Cu	•	•	•
FEP	180	CuSn	•	•	•

- Body in PA66.
- Table of available colors:  
**N** = black  
**B** = white  
- Other colors on request

