

# PUSH SWITCH SERIES "UNICO"

## M80P-



Switch:

**PUSH SWITCH  
FOR TABLE LAMPS TO ADJUST DIMMER DEVICES  
WITH "PUSH ON THE MAINS" CONTROL  
(PULSE ON THE POWER SUPPLY)**

Rated Voltage:  
Rated current:

**250 Vac  
3 A through wiring  
1 A push switch**

Frequency:  
Environment Temperature:

**50÷60 Hz  
T 35°C**

Insulation class:  
Type of button:

**II  
PUSH BUTTON**

Type of clamps for cables  
connection:

**SCREW CLAMPS**

Clamps connecting capacity:  
Protection grade:

**0.75 mm<sup>2</sup>  
IP40**

In conformity to the standards:  
In conformity to the requirements  
of the directive:

**EN 61058-2  
2014/35/EU**

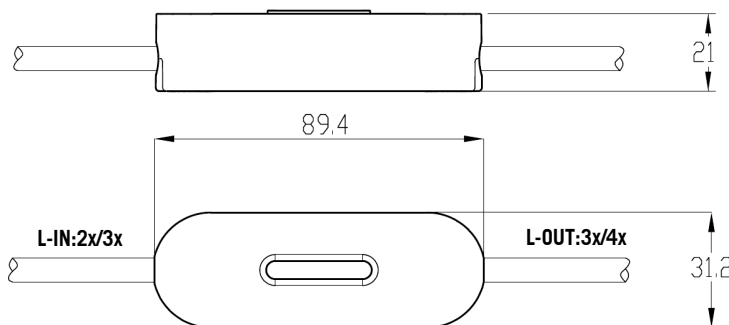
Approval marks:

**M80PN:** push switch in version with black envelope  
**M80PB:** push switch in version with white envelope  
**M80PE:** push switch in version with grey envelope

• Table of cables connectable to the switch:

Insulation	Shape	Section mm <sup>2</sup>	Temperature	Type	Code
PVC + PVC	round	L-IN: 2 x 0,75 L-OUT: 3 x 0,75	T70°C	H03W-F	RR27- RRT7-
PVC + PVC	round	L-IN: 2 x 0,75 L-OUT: 3 x 0,75	T90°C	H03V2V2-F	RH27- RHT7-
PVC + PVC	round	L-IN: 3 x 0,75 L-OUT: 4 x 0,75	T70°C	H03W-F	RR37- RR47-
PVC + PVC	round	L-IN: 3 x 0,75 L-OUT: 4 x 0,75	T90°C	H03V2V2-F	RH37- RH47-

The electronic switch of M80P- UNICO series can be supplied to be assembled by the customer or already provided with cables.



*Notes:*

- *Rewireable push switch.*
- *It is possible to supply the push switch, normally open, connected to a wiring with a plug with cable length and working of the free ends according to customer's specifications.*

- Envelopes in ABS.  
Push button in PC.  
Cable clamp bridge in PA66.  
Electronic board with support in FR4.  
Closing screws in zinc-plated iron.  
Screw-covering plate in ABS.  
*Metal-coloured versions with surface treatment PVD.*

