

PLUGS

M82-

Plug + socket:

**PLUG + SOCKET "ITALIAN THREE-POLE
EXTENSION" 2 poles + ground**

Rated voltage:

250 V

Rated current:

10 A

Insulation class:

I

Type of clamps for
cables connection:

CRIMPED CLAMPS

Cable exit:

AXIAL

Protection degree:

IP20

In conformity to the standards:

CEI 23-16



Approval marks:

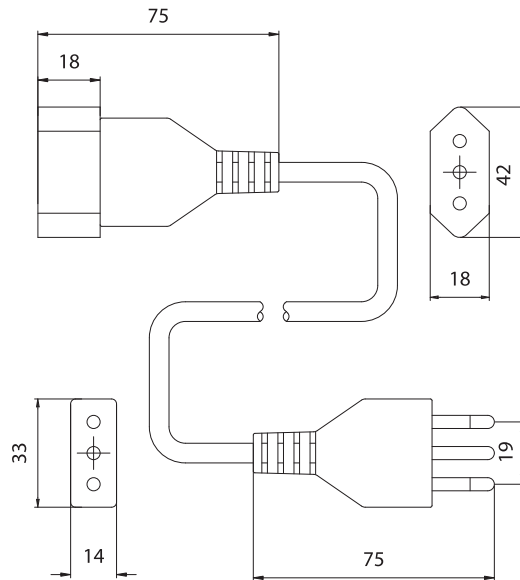
- Tables of the cables connected to the plug:

Transparent plug version:

Insulation	Shape	Sections	Temperature	Type	cod./page
PVC + PVC TRANSPARENT	round	3 x 0,75 mm ²	T70°C	FROR	RS37T (page 9057)
PVC + PVC TRANSPARENT	round	3 x 0,75 mm ²	T70°C	FROR	RB37T (page 9056)
FEP + PVC TRANSPARENT	round	3 x 0,75 mm ²	T70°C (T180°C cores)	FR5FOR	BS37T (page 9063)

Coloured plug version:

Insulation	Shape	Sections	Temperature	Type	cod./page
PVC + PVC B - N - E	round	3 x 0,75 mm ²	T70°C	H03W-F	RR37- (page 9053)
PVC + PVC B - N - E	round	3 x 0,75 mm ²	T90°C	H03V2V2-F	RH37- (page 9052)
PVC + PVC B - N - E	round	3 x 0,75 mm ²	T70°C	H05W-F	RC37- (page 9055)



- Plug in PVC thermoplastic material.
Socket in PA66.
Nickel-plated brass contacts.

- Table of the available colours:

T = transparent

B = white

N = black

E = grey

- Other colours on request.

