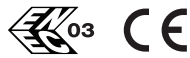


DIMMERS SERIES "UNICO"

M90-



Dimmer:

**DIMMER
FOR FLOOR LAMPS
FOR INCANDESCENT AND DIMMABLE LED LAMPS
SERIES "UNICO"**

Rated Voltage:

100÷240 Vac

Power:

**4-150 W (4-100 W if at 120 V) for incandescent lamps
2-25 W for retrofit dimmable LED lamps (max 4 lamps)**

Frequency:

50÷60 Hz

Environment Temperature:

T 35°C

Insulation class:

II

Type of button:

PUSH BUTTON

Type of clamps for cables

connection:

SCREW CLAMPS

Clamps connecting capacity:

0.75 mm²

Protection grade:

IP40

In conformity to the standards:

EN 61058-2

In conformity to the requirements of the directive:

2014/35/EU

Approval marks:

ENEC 03

M90N: dimmer in version with black envelope

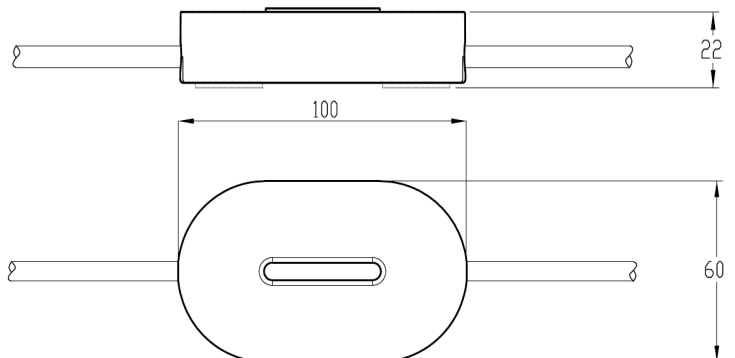
M90B: dimmer in version with white envelope

M90E: dimmer in version with grey envelope

• Table of cables connectable to the dimmer:

Insulation	Shape	Section	Temperature	Type	Code
PVC + PVC	flat	2 x 0,75 mm ²	T70°C	H03WH2-F	RRP7-
PVC + PVC	flat	2 x 0,75 mm ²	T90°C	H03V2V2H2-F	RHP7-
PVC + PVC	round	2 x 0,75 mm ²	T70°C	H03VV-F	RR27-
PVC + PVC	round	2 x 0,75 mm ²	T90°C	H03V2V2-F	RH27-
PVC + PVC	round	2 x 0,75 mm ²	T70°C	H05VV-F	RC27-
PVC + PVC	round	2 x 0,75 mm ²	T90°C	H05V2V2-F	RF27-
RUBBER + RUBBER	round	2 x 0,75 mm ²	T70°C	H05RN-F	NC27N
PVC + PVC + FABRIC	flat	2 x 0,75 mm ²	T70°C (+T70°C)	(H03WH2-F)	RRP7X-
PVC + PVC + FABRIC	flat	2 x 0,75 mm ²	T90°C (+T70°C)	(H03V2V2H2-F)	RHP7X-
PVC + PVC + FABRIC	round	2 x 0,75 mm ²	T70°C (+T70°C)	(H03VV-F)	RR27X-
PVC + PVC + FABRIC	round	2 x 0,75 mm ²	T90°C (+T70°C)	(H03V2V2-F)	RH27X-

The dimmer of M90- UNICO series can be supplied to be assembled by the customer or already provided with cables.



Notes:

- Rewireable electronic dimmer.
- It is possible to supply the dimmer connected to a wiring with European 2 pole plug with cable length and working of the free ends according to customer's specifications.
- The dimmer is provided with load failure protection.
- The dimmer is programmed with the memory of the latest dimming state.

- Envelopes in ABS.
Push button in PC.
Contact-holding insert in PA6.
Cable clamp bridge in PA66.
Electronic board with support in FR4.
Closing screws in zinc-plated iron.
Supporting pads in rubber.



DIMMERS SERIES "UNICO"

M90-

Dimmer:

Rated Voltage:

Power:

Frequency:

Environment Temperature:

Category:

Type of button:

Type of clamps for cables connection:

Clamps connecting capacity:

In conformity to the standards:

Approval marks:



**DIMMER
FOR FLOOR LAMPS
FOR INCANDESCENT AND DIMMABLE LED LAMPS
SERIES "UNICO"**

100÷120 Vac

4-100 W for incandescent lamps

2-25 W for retrofit dimmable LED lamps (max 4 lamps)

50÷60 Hz

T 35°C

WHAC, WHAC7 - SWITCHES FOR APPLIANCES

PUSH BUTTON

SCREW CLAMPS

AWG 18

IEC 61058-1

cULus LISTED

M90N: dimmer in version with black envelope

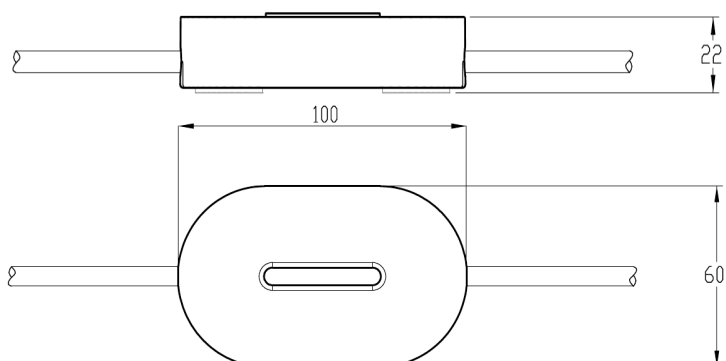
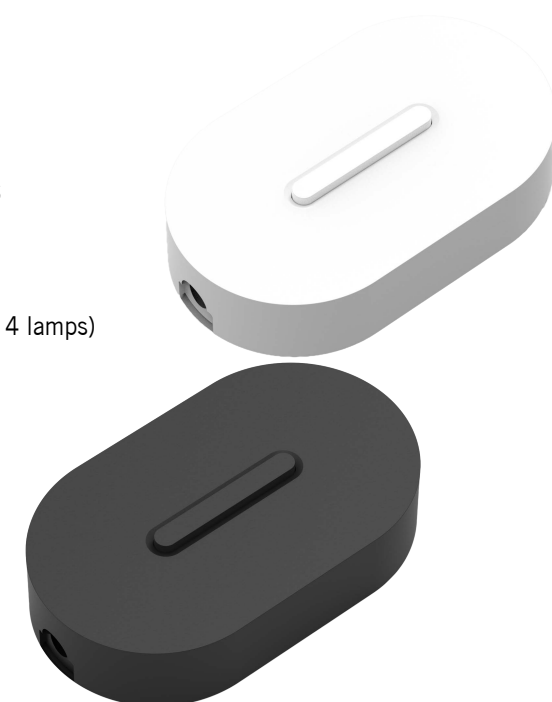
M90B: dimmer in version with white envelope

M90E: dimmer in version with grey envelope

• Table of cables connected to the dimmer:

Insulation	Shape	AWG	Temperature	Type	Code
PVC	flat	2 x 18	T105°C	SPT-2	YD28-
PVC + PVC	round	2 x 18	T105°C	SVT	WV28-
PVC + PVC	round	3 x 18	T105°C	SVT	WV38-
PVC + PVC + COLOURED FABRIC	round	2 x 18	T105°C	SVT-B	WV28X--
PVC + PVC + COLOURED FABRIC	round	3 x 18	T105°C	SVT-B	WV38X--

The dimmer of M90- UNICO series can be supplied to be assembled by the customer or already provided with cables.



Notes:

• *Rewireable electronic dimmer.*

• *It is possible to supply the dimmer connected to a wiring with USA 2 pole plug or USA 2 pole + ground plug with cable length and working of the free ends according to customer's specifications.*

• *The dimmer is provided with load failure protection.*

• *The dimmer is programmed with the memory of the latest dimming state.*

• Envelopes in ABS.

Push button in PC.

Contact-holding insert in PA6.

Cable clamp bridge in PA66.

Electronic board with support in FR4.

Closing screws in zinc-plated iron.

Supporting pads in rubber.

