

SWITCHES

M85-

1998

M95-



Switch:

M85-: **SWITCH + "EUROPEAN"
BIPOLAR PLUG 2,5A**

M95-: **SWITCH**

Rated voltage:

250 V

Rated current:

2 (1) A

Insulation class:

II

Type of clamps for

cables connection:

SCREW CLAMPS (for art. M95-)

Clamps connecting capacity:

0,75 mm²

Protection degree:

IP40

In conformity to the standards:

EN 50075-1

In conformity to the requirements

of the directives:

2014/35/EU

Approval marks:

IMQ



- Table of the cables connectable to the switch:

Transparent switch version:

Insulation	Shape	Sections	Temperature	Type	cod./page
PVC + PVC TRANSPARENT	flat	2 x 0,75 mm ²	T70°C	FRDR	RSP7T (page 9057)
PVC + PVC TRANSPARENT	flat	2 x 0,75 mm ²	T70°C	FRDR	RBP7T (page 9056)
PVC + PVC TRANSPARENT	round	2 x 0,75 mm ²	T70°C	FROR	RS27T (page 9057)
FEP + PVC TRANSPARENT	flat	2 x 0,75 mm ²	T70°C (T180°C cores)	FR5FDR	BSP7T (page 9063)
FEP + PVC TRANSPARENT	round	2 x 0,75 mm ²	T70°C (T180°C cores)	FR5FOR	BS27T (page 9063)

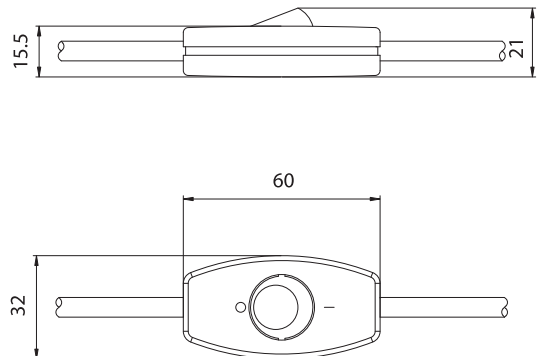
Coloured switch version:

Insulation	Shape	Sections	Temperature	Type	cod./page
PVC + PVC N - B - O	flat	2 x 0,75 mm ²	T70°C	H03WH2-F	RRP7- (page 9053)
PVC + PVC N - B - O	flat	2 x 0,75 mm ²	T90°C	H03V2ZH2-F	RHP7- (page 9052)

Note: it is possible to supply the switch connected with the "European" bipolar plug with lengths and workings of the cables on customer request.

The standard lengths are:

- 120 cm from the plug to the switch + 80 cm from the switch to the cable free-end.
- 100 cm from the plug to the switch + 50 cm from the switch to the cable free-end.



- Polycarbonate body, for the transparent version, PA66 body, for the coloured versions.
Raw or nickel-plated phosphorous bronze or brass contacts.
Brass clamps with slot screws (for art. M95-).
PA66 cable-clamp (for art. M95-).

- Table of the available colours:

T = transparent

B = white

N = black

O = gold

- Other colours on request.

