

CONNECTING DEVICES

M98

2005



Type:

3 LINES WATERTIGHT CONNECTION DEVICE

Connection:

**nr. 1 line in
nr. 2 lines out**

Rated voltage:

500 V

Rated current:

17,5 A

Working temperature:

T -20°C + 60°C

Type of clamps to connect the cables:

SCREW CLAMPS

Clamps connecting connect the cables:

1,50 mm²

Protection degree (IP):

IP68 (0,5 bar)

In conformity to the standards:

EN 60998-1

EN 60335 (for the cable gland)

EN 50262 (for the cable gland)

In conformity to the requirements of the directive:

2014/35/EU

Approval marks:

- Watertight connection device:
 - external envelope in PA66.
 - gasket in thermoplastic vulcanised TPE.
 - cable glands with gaskets in TPE for cables with diameter between 7 and 13 mm.
 - cable clamps in nickel-plated brass with engraved-hexagon head screws in zinc-plated iron.
 - screws to close the device in stainless steel.
- Device useful to connect the power cable (main power) with two exit cables (parallel connection of lighting fixtures) suitable for lighting fixtures in outdoor applications.

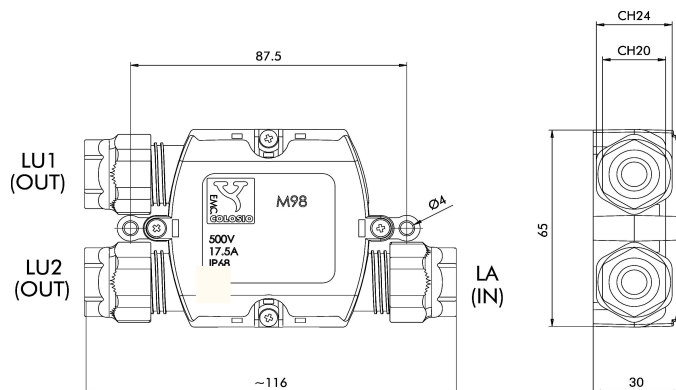
M98V: device version supplied without connected cables.

M98C: device version supplied with connected cables (type, lengths and workings according to customer's request).

M98R*: device version supplied with connected cables and internal resinated part of the sole exit cable "LU1" (type, lengths and workings according to customer's request).

M98L*: device version supplied with sole resinated exit cable connected to "LU1" (type, lengths and workings according to customer's request). The power cable "LA" and the other exit cable "LU2", used to make the parallel connection, are left free to allow the connection of the installer.

* Device useful to stop the penetration of humidity caused by the depression created in the lighting fixtures during the cooling process of the lamp (when humidity penetrates in the lighting fitting from outside through the power cable).



- The device can be connected to multi-conductor cables unshielded 35 mm with the cores stripped 6 mm or crimped with end-terminals (for the cables, see "Section 9 - cables" of this catalogue - suggested cables with external sheath in rubber as per table here below).
- Lengths of the cables connected to the device (LA, LU1 and LU2) and free-ends workings of the cable on customer's request.

Insulation	Shape	Section	Temperature	Type	cod./page
RUBBER + RUBBER BLACK	round	3 x 1,50 mm ²	T90°C	H07RN-F	NN35N (page 9049)
SILICONE + RUBBER BLACK	round	3 x 1,50 mm ²	T90°C (T180°C for the cores)		NS35N (page 9050)

