

CONNECTING DEVICES

M98Z-

2005



Type:

4 LINES WATERTIGHT CONNECTION DEVICE

Connection:

**nr. 1 line in
nr. 3 lines out**

Working temperature:

T -20°C + 60°C

Protection degree (IP):

IP68 (0,5 bar)

In conformity to the standards:

EN 60998-1

EN 60335 (for the cable gland)

EN 50262 (for the cable gland)

In conformity to the requirements of the directive:

2014/35/EU

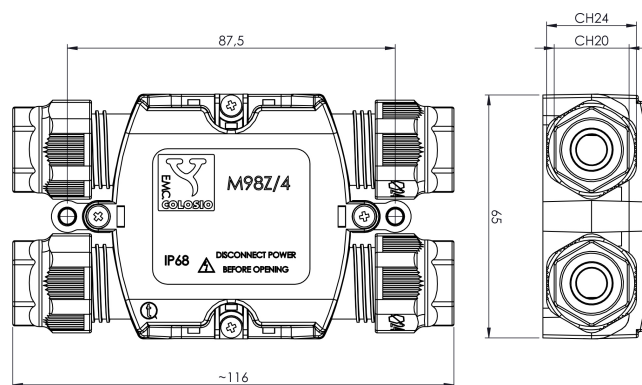
Approval marks:



- Watertight connection device:
 - external envelope in PA66.
 - gasket in EPDM.
 - cable glands with gaskets in silicone for cables with diameter between 7 and 13 mm.
 - screws to close the device in stainless steel.

- Device useful to connect the power cable (mains power) with three exit cables (parallel connection of lighting fixtures) suitable for lighting fixtures in outdoor applications.

M98Z4: 4 ways watertight device, dimension 110 x 165 x h30 mm, with 24 mm hex cable glands for cables with diameter from 7 mm to 13 mm.



- The device can be connected to multi-conductor cables (see "Section 9 - cables" of this catalogue - suggested cables with external sheath in rubber as per table here below).
- Lengths of the cables connecting to the device and free-hands workings of the cable, on customer's request.

Insulation	Shape	Section	Temperature	Type	cod./page
RUBBER + RUBBER BLACK	round	3 x 1,50 mm ²	T90°C	H07RN-F	NN35N (page 9049)
SILICONE + RUBBER BLACK	round	3 x 1,50 mm ²	T90°C (T180°C for the cores)		NN35N (page 9050)

