

# EDISON SCREW LAMPHOLDERS

## P03

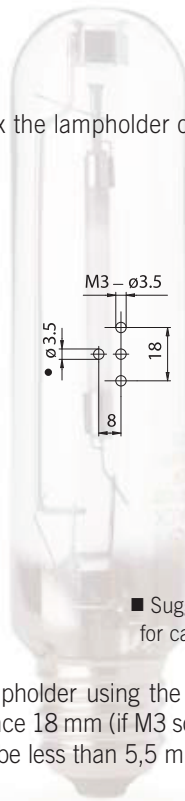


**Attention: cap is under tension, therefore the lampholder has connected polarized cables: the black cable (line) is connected to the central contact; the white cable (neutral) is connected to the cap.**

<b>Lampholder:</b>	<b>E11</b>
Rated current:	<b>2 A</b>
Rated voltage:	<b>250 V</b>
Working temperature:	<b>T 250°C</b>
Connected cables working temperature:	<b>T 105°÷ 250°C</b>
In conformity to the standards:	<b>UL 496</b>
Approval marks:	<b>UL</b>

- Porcelain body.  
Cap-side-contact in nickel-plated brass.  
Central contact in nickel-plated brass.  
Pressure spring in normalized stainless steel.
- Weight of the lampholder in standard execution (with cables L = 25 cm): 35 g.

- Instructions to fix the lampholder on structures.



■ Suggested minimum dimension for cables passage (if necessary)

- Fixing of the lampholder using the holes diameter 3,5 mm with center distance 18 mm (if M3 screws are used, the head diameter should be less than 5,5 mm).

Single-conductor flexible connecting cables, polarised white and black, crimped to the lampholder:

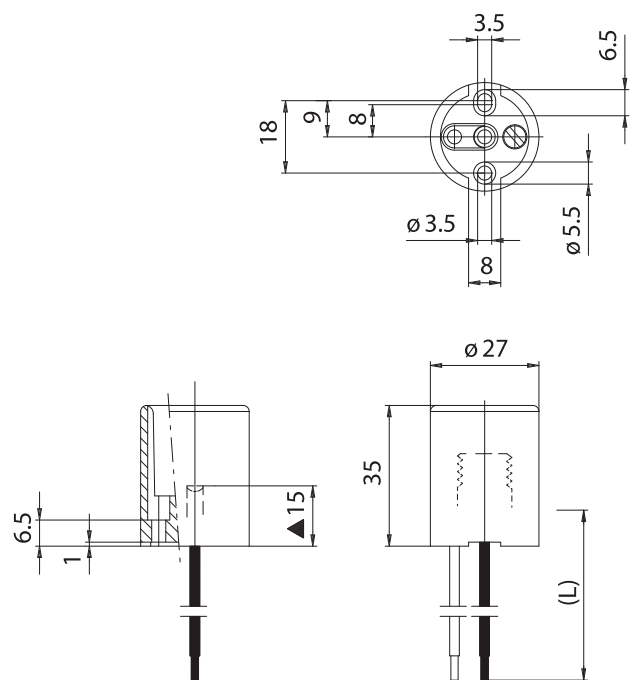
Insulation	T in °C	Conduct.	Available voltages and AWG		
			300V	600V	18AWG
Silicone <i>Single insulation</i>	200	CuSn		•	•
Silicone+glass-braid <i>Single insulation</i>	200	CuSn		•	•
FEP <i>Single insulation</i>	200	CuNi	•	•	•
FEP+FEP <i>Double insulation</i>	200	CuNi	•		•
PTFE <i>Single insulation</i>	250	CuNi	•	•	•
PTFE+PFA <i>Double insulation</i>	250	CuNi	•		•

- The accessories available are listed at the end of this section.



# P03

1985



▲ Central contact distance

