

LAMPHOLDER FOR INCANDESCENT HALOGEN LAMPS

P44-



Lampholder:	G4
Rated current:	4 A
Rated voltage:	24 V
Working temperature:	T 200°C
Connected cables working temperature:	T 105°÷ 250°C
In conformity to the standards:	UL 496 CSA 22.2 N.43
Approval marks:	cURus

- Black PPS body
version with four edged head, art. P44C,
version with rectangular head, art. P44B,
version with square head, art. P44D,
version with oval head, art. P44A.
Contacts in special alloy.
- Weight of the lampholder in standard execution
(with cables L = 15 cm): 5 g.
- Indications to fix the lampholder on structures.

Single-conductor flexible connecting cables crimped to the lampholder:

Insulation	T in °C	Conduct.	Available voltage and AWG		
			300V	600V	18AWG
FEP <i>Single insulation</i>	200	CuNi	•	•	•
PTFE <i>Single insulation</i>	250	CuNi	•	•	•



- Eventual fixing of the lampholder by pressure insertion in holes diameter 7,65 ÷ 7,85 mm or by alternative fixing systems. For version P44A, the eventual fixing occurs by holes diameter 3,2 mm, with center distance 11,4 mm.

Attention: in the end product the cables connected to this lampholder should not be accessible during the normal replacement operations of the lamp (if accessible a cord-grip device should be provided).



FOR VERY LOW TENSION 12 - 24V

P44-

1995



Lampholder: G4

Rated voltage: 24 V
 Rated current: 4 A
 Working temperature: T 240°C

Connected cables working temperature: T 90° ÷ 250°C
 Protection grade: IP20
 In conformity to the standards: EN 60838-1

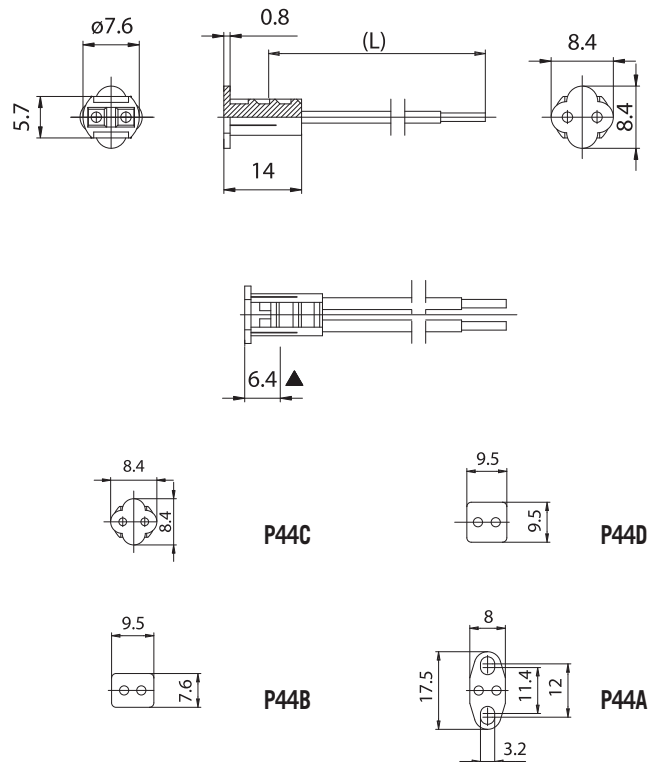
Approval marks: ENEC 03
 CQC



- P44C:** version with four edged head.
- P44B:** version with rectangular head.
- P44D:** version with square head.
- P44A:** version with oval head.

Single-conductor flexible connecting cables crimped to the lampholder:

Insulation	T in °C	Conduct.	Available sections in mm ²			
			0,50	0,75	1,00	1,50
Silicone <i>Single insulation</i>	180	CuSn	•	•		
Silicone+glass-braid <i>Single insulation</i>	180	CuSn	•			
FEP <i>Single insulation</i>	180	CuSn	•	•		
PTFE <i>Single insulation</i>	180	CuSn	•	•		
PTFE <i>Single insulation</i>	250	CuNi	•	•		
PFA <i>Single insulation</i>	260	CuNi	•	•		



▲ Lamp contacts reference plane



LAMPHOLDER FOR INCANDESCENT HALOGEN LAMPS

P44CY



Note: this kind of lampholder is built with power connection by a pressure contact (bonding contact) and a crimped cable. Check the correct efficiency of the electrical contact with the element of electrical connection under tension, realized on the lighting fixture.

Lampholder:	G4
Rated current:	4 A
Rated voltage:	24 V
Working temperature:	T 200°C
Connected cables working temperature:	T 105°÷ 250°C
In conformity to the standards:	UL 496 CSA 22.2 N.43
Approval marks:	cURus

- Black PPS body with four edge head. Contacts in special alloy.
- Weight of the lampholder in standard execution (with cables L = 15 cm): 5 g.

Single-conductor flexible connecting cable crimped to the lampholder:

Insulation	T in °C	Conduct.	Available voltage and AWG		
			300V	600V	18AWG
FEP <i>Single insulation</i>	200	CuNi	•	•	•
PTFE <i>Single insulation</i>	250	CuNi	•	•	•

- Indications to fix the lampholder on structures.



- Eventual fixing of the lampholder by pressure insertion in holes diameter 7,65 ÷ 7,85 mm or by alternative fixing systems.

Attention: in the end product the cables connected to this lampholder should not be accessible during the normal replacement operations of the lamp (if accessible a cord-grip device should be provided).



FOR VERY LOW TENSION 12 - 24V

P44CY

1996



Lampholder: **G4**

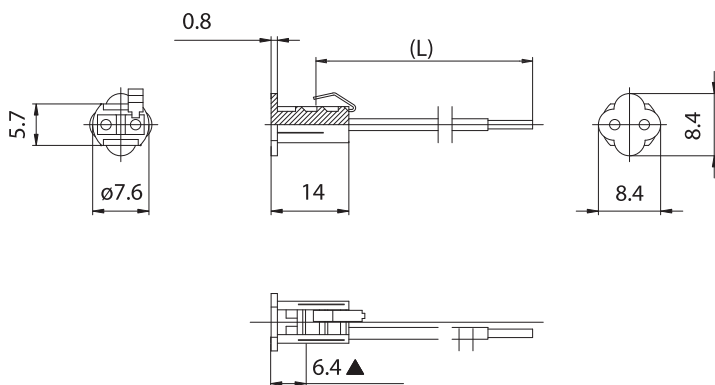
Rated voltage: **24 V**
 Rated current: **2 A**
 Working temperature: **T 210°C**
 Working temperature of the connected cable: **T 90°÷ 250°C**
 Protection grade: **IP20**
 In conformity to the standards: **EN 60838-1**

Approval marks: **CQC**



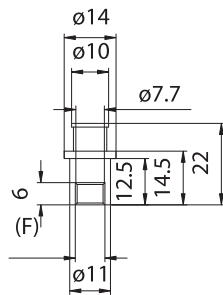
Single-conductor flexible connecting cable crimped to the lampholder:

Insulation	T in °C	Conduct.	Available sections in mm ²			
			0,50	0,75	1,00	1,50
Silicone <i>Single insulation</i>	180	CuSn	•	•		
Silicone+glass-braid <i>Single insulation</i>	180	CuSn	•			
FEP <i>Single insulation</i>	180	CuSn	•	•		
PTFE <i>Single insulation</i>	180	CuSn	•	•		
PTFE <i>Single insulation</i>	250	CuNi	•	•		
PFA <i>Single insulation</i>	260	CuNi	•	•		



▲ Lamp contacts reference plane

1164



1164/-: Cylindrical adapter, in raw brass, for glass with hole diameter 11 mm, ledge diameter 14 mm and threaded hole “F” (see table here below) suitable for lampholder P44C and P44CY.

1164F/-: Cylindrical adapter, in raw brass, for glass with hole diameter 11 mm, ledge diameter 14 mm and hole “F” (see table here below) suitable for lampholder P44C and P44CY.

- Glass-holder spring not included (see art. 1064).

ATTENTION: In order to use properly the glass-holder springs, we recommend to carefully evaluate the tolerances of the hole, the glass thickness and the weight of the glass itself.

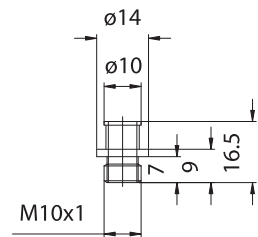
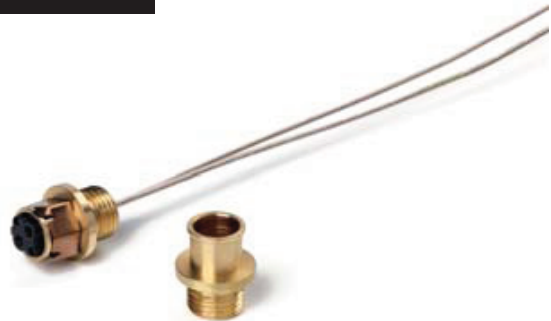
- F = Dimension of the threaded hole or of the adapter hole:

1164/3: M3 x1	1164F/3: \varnothing 3,1 mm
1164/4: M4 x1	1164F/4: \varnothing 4,1 mm
1164/5: M5 x1	1164F/5: \varnothing 5,1 mm
1164/6: M6 x1	1164F/6: \varnothing 6,1 mm
1164/8: M8 x1	1164F/8: \varnothing 8,1 mm
1164/10: M10 x1	1164F/10: \varnothing 10,1 mm

Note: it is possible to process similar customized accessories upon customer's request.

- Fixing of the lampholder by pressure insertion.

1165



1165/-: Cylindrical adapter, in raw brass, for glass with hole diameter 11 mm, ledge diameter 14 mm and with male thread M10 x1, suitable for lampholder P44C and P44CY.

- Glass-holder spring not included (see art. 1064).

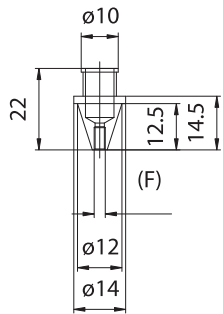
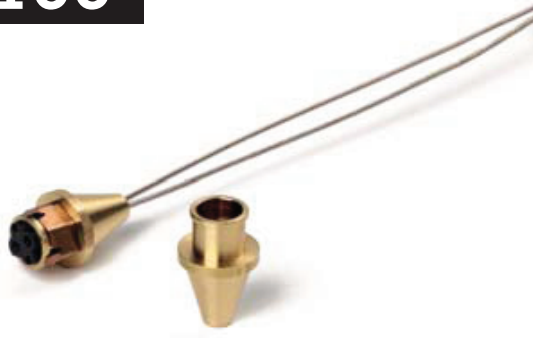
ATTENTION: In order to use properly the glass-holder springs, we recommend to carefully evaluate the tolerances of the hole, the glass thickness and the weight of the glass itself.

- M = Dimension of the threaded hole or of the adapter hole:

Note: it is possible to process similar customized accessories upon customer's request.

- Fixing of the lampholder by pressure insertion.

1166



1166/-: Conical adapter, in raw brass, for glass with hole diameter 11 mm, ledge diameter 14 mm and threaded hole "F" (see table here below) suitable for lampholder P44C and P44CY.

1166F/-: Conical adapter, in raw brass, for glass with hole diameter 11 mm, ledge diameter 14 mm and hole "F" (see table here below) suitable for lampholder P44C and P44CY.

- Glass-holder spring not included (see art. 1064).

ATTENTION: In order to use properly the glass-holder springs, we recommend to carefully evaluate the tolerances of the hole, the glass thickness and the weight of the glass itself.

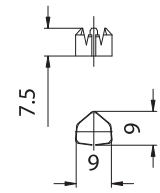
• F = Dimension of the threaded hole or of the adapter hole:

1166/3: M3 x1	1166F/3: ϕ 3,1 mm
1166/4: M4 x1	1166F/4: ϕ 4,1 mm
1166/5: M5 x1	1166F/5: ϕ 5,1 mm
1166/6: M6 x1	1166F/6: ϕ 6,1 mm
1166/8: M8 x1	1166F/8: ϕ 8,1 mm

Note: it is possible to process similar customized accessories upon customer's request.

- Fixing of the lampholder by pressure insertion.

1064



1064/-: Spring in phosphorous bronze, thickness 0,15 mm., to hold glasses with hole inner diameter 11 mm to be housed on specific structures (see our items 1164-/, 1165-/, 1166-/).

ATTENTION: in order to use properly the glass-holder springs, we recommend to carefully evaluate the tolerances of the hole, the glass thickness and the weight of the glass itself.

Licence patent DE 197 39 053.

1149



1149: Raw brass threaded pin M10 x1, height 30 mm with inner hole to host the lampholder P44C and P44CY.

- Other heights available on request.

Note: adapter useful to fix the glass by a nut with thread M10 x1 standard.