

LAMPHOLDER FOR INCANDESCENT HALOGEN LAMPS

Attention: the retaining spring of the lamp can be supplied already fixed to the lampholder. In this case the diameter of the fixing holes becomes 2,4 mm:

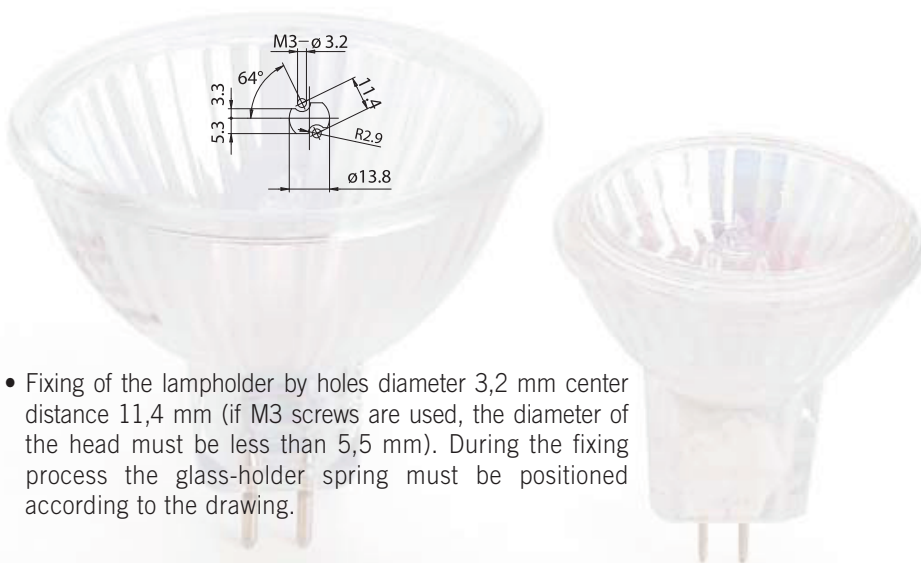
- For lampholder with base GU5,3 art. P59MS.
- For lampholder with base GU4 art. P58MS.

Current carrying capacity of cables:

- 6A for cables section 0,50 mm² or 20 AWG
- 8A for cables section 0,75 mm² or 18 AWG

- Steatite body.
Double contacts in special alloy.
Pressure springs in normalized stainless steel.
Micarta protection plate.
Steel glass-hold spring not fixed to the lampholder.

- Indications to fix the lampholder on structures.



- Fixing of the lampholder by holes diameter 3,2 mm center distance 11,4 mm (if M3 screws are used, the diameter of the head must be less than 5,5 mm). During the fixing process the glass-holder spring must be positioned according to the drawing.



FOR VERY LOW TENSION 12 - 24V

P59M

P58M



Lampholder:

Rated voltage:
Rated current:
Working temperature:
Connected cables
working temperature:
Protection grade:
In conformity to the standards:

GU5.3 for art. P59M
GU4 for art. P58M *

24 V
10 A
T 350°C

T 90°÷ 250°C
IP00
EN 60838-1 *

Approval marks:

CQC

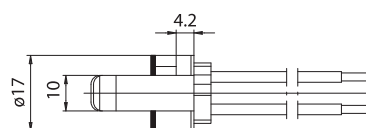
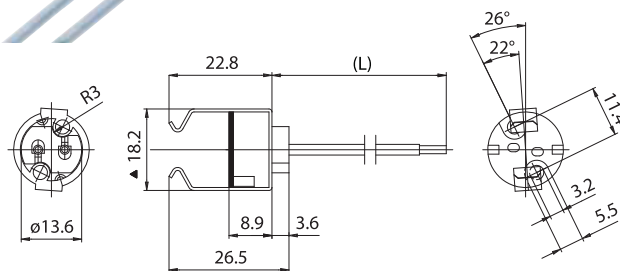
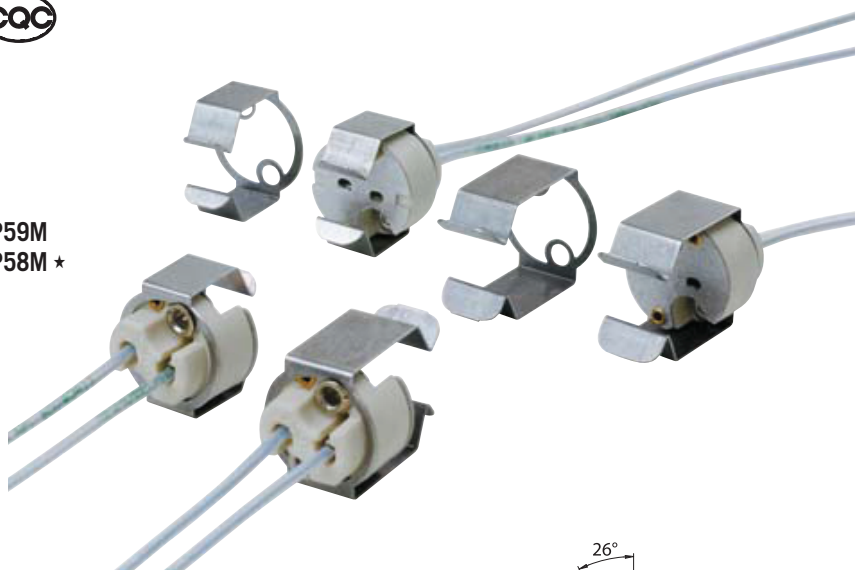
P59M: lampholder with base GU5.3.

P58M: lampholder with base GU4.

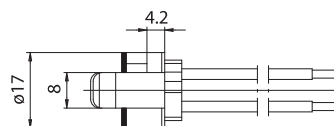
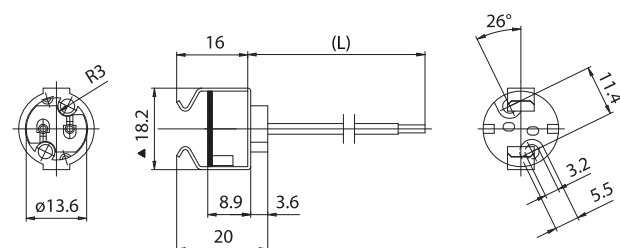
Single-conductor flexible connecting cables crimped to the lampholder:

| Insulation | T in °C | Conduct. | Available sections in mm ² | | | |
|---|---------|----------|---------------------------------------|------|------|------|
| | | | 0,50 | 0,75 | 1,00 | 1,50 |
| Silicone Single insulation | 180 | CuSn | • | • | • | • |
| Silicone+glass-braid Single insulation | 180 | CuSn | • | • | • | • |
| FEP Single insulation | 180 | CuSn | • | • | • | • |
| PTFE Single insulation | 180 | CuSn | • | • | • | • |
| PTFE Single insulation | 250 | CuNi | • | • | • | • |
| PFA Single insulation | 260 | CuNi | • | • | • | • |

* The article complies with all requirements of norm EN 60838-1 (1994) with exception of the requirement regarding the minimum length of insertion of the contacts of the lamp in the lampholder, which in standard EN 60061-2, data sheet 7005-108-1, is minimum 11,6 mm, while in this lampholder is 7,5 mm.



P59M



P58M

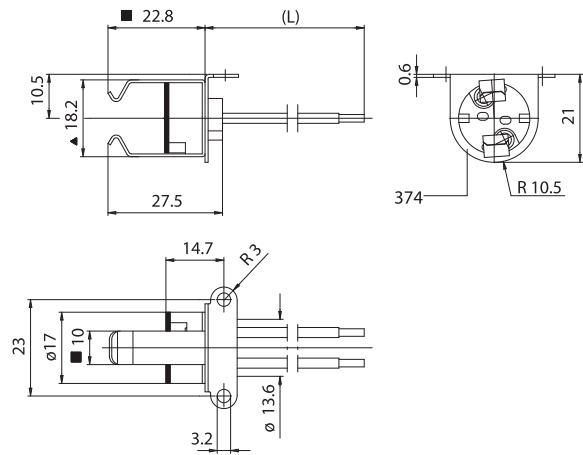
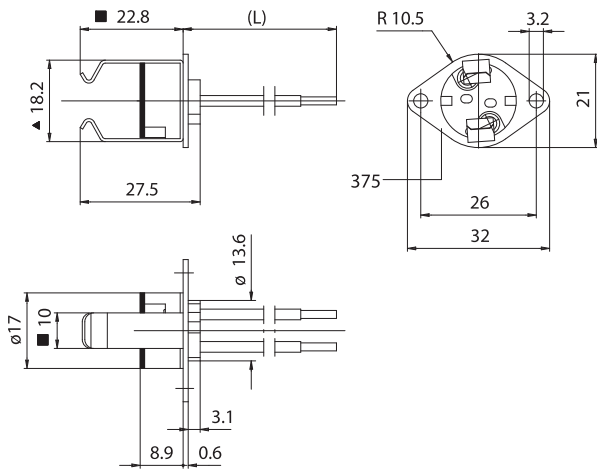
▲ Dimension without inserted lamp in the lampholder



P59MD-P58MD



P59MV-P58MV



■ 16,3 x 8 for P58MD

▲ Dimension without inserted lamp in the lampholder

■ 16,3 x 8 for P58MV

▲ Dimension without inserted lamp in the lampholder

P59MD: lampholder P59M with base GU5,3, with plate assembled under the retaining spring of the lamp (art. 375).

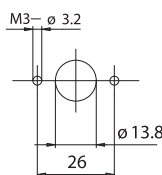
P59MV: lampholder P59M with base GU5,3, with 90° bracket assembled under the retaining spring of the lamp (art. 374).

P58MD: lampholder P58M with base GU4, with plate assembled under the retaining spring of the lamp.

P58MV: lampholder P58M with base GU4, with square assembled under the retaining spring of the lamp.

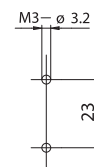
- Weight of the lampholder in standard execution: 10 g.
- Indications to fix the lampholder on structures.

- Weight of the lampholder in standard execution: 10 g.
- Indications to fix the lampholder on structures.



B

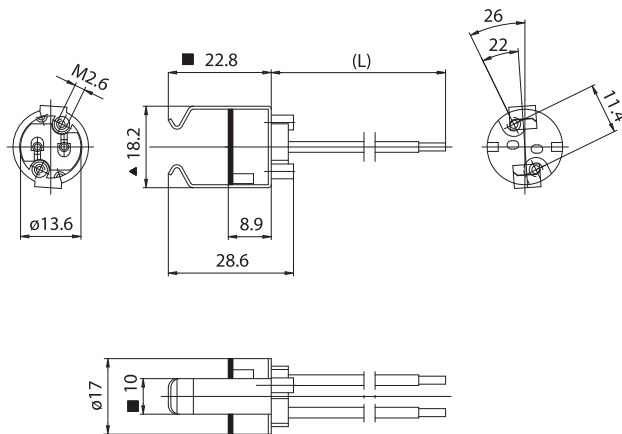
B - Back fixing



- Fixing of the lampholder by holes diameter 3,2 mm with center distance 26 mm.

- Fixing of the lampholder by holes diameter 3,2 mm with center distance 23 mm.

P59MF-P58MF



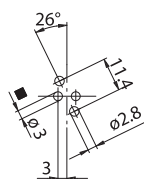
■ 16,3 x 8 per P58MF

▲ Dimension without inserted lamp in the lampholder

P59MF: lampholder P59M with base GU5,3, with threaded bushes M2,6 inserted in the fixing holes with center distance 11,4 mm (*useful for back-fixing of the lampholder*).

P58MF: lampholder P58M with base GU4, with threaded bushes M2,6 inserted in the fixing holes with center distance 11,4 mm.

- Weight of the lampholder in standard execution: 10 g.
- Indications to fix the lampholder on structures.

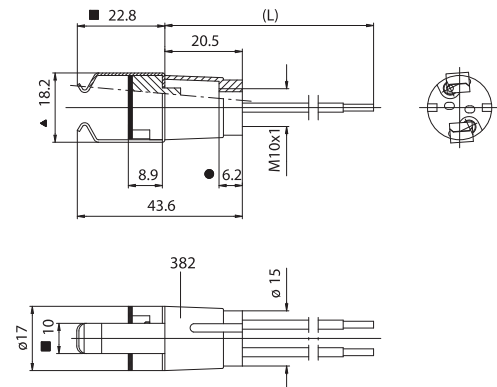


B

B - Back fixing

■ Suggested minimum dimension for cables passage

P59MR-P58MR



■ 16,3 x 8 per P58MR ● Thread depth

▲ Dimension without inserted lamp in the lampholder

P59MR: lampholder P59M with base GU5,3, with white zinc-plated zamak adapter, height 20,5 mm, threaded hole M10 x1 bordered to the steatite body (art. 382).

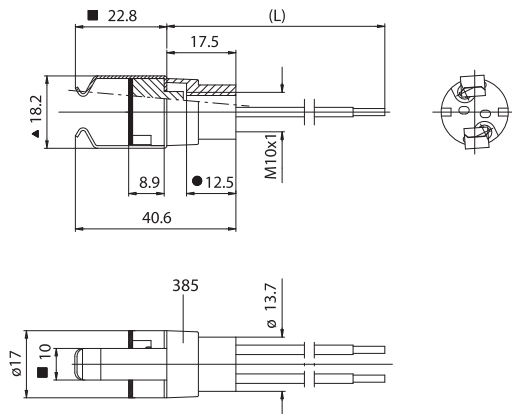
P58MR: lampholder P58M with base GU4, with white zinc-plated zamak adapter, height 20,5 mm, threaded hole M10 x1 bordered to the steatite body.

P59MRZ - P58MRZ: versions with adapter with M3 dowel, without head for nipple block.

- Weight of the lampholder in standard execution: 20 g.

- Fixing on threaded tubes or nipples M10 x1.

P59MI-P58MI



■ 16,3 x 8 per P58MI ● Thread depth
▲ Dimension without inserted lamp in the lampholder

P59MI: lampholder P59M with base GU5,3, with white zinc-plated zamak adapter, height 17,5 mm, threaded hole M10 x1 fixed in the lampholder with self-threading screws (art. 385).

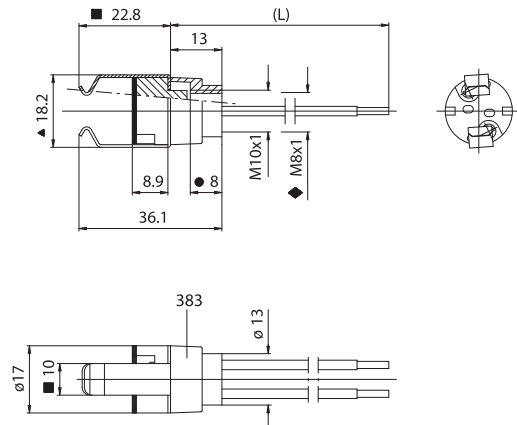
P58MI: lampholder P58M with base GU4 with white zinc-plated zamak adapter, height 17,5 mm, threaded hole M10 x1 fixed in the lampholder with self-threading screws.

P59MIZ - P58MIZ: versions with adapter with M3 dowl without head for nipple block.

- Weight of the lampholder in standard execution: 20 g.

- Fixing on threaded tubes or nipples.

P59MK-P58MK



■ 16,3 x 8 per P58MK - P58MN ● Thread depth
▲ Dimension without inserted lamp in the lampholder

P59MK: lampholder P59M with base GU5,3, with white zinc-plated zamak adapter, height 13 mm, threaded hole M10 x1 fixed in the lampholder with self-threading screws (art. 384).

P58MK: lampholder P58M with base GU4 with white zinc-plated zamak adapter, height 13 mm, threaded hole M10 x1 fixed in the lampholder with self-threading screws.

P59MN - P58MN: ♦ versions with adapter M8 x1.

P59MKZ - P58MKZ - P59MNZ - P58MNZ: versions with adapter with M3 dowl without head for nipple block.

- Weight of the lampholder in standard execution: 15 g.

- Fixing on threaded tubes or nipples.