

LAMPHOLDER FOR INCANDESCENT HALOGEN LAMPS

P69-



Current carrying capacity of cables:

- 6A for cables section 0,50 mm² or 20 AWG
- 8A for cables section 0,75 mm² or 18 AWG

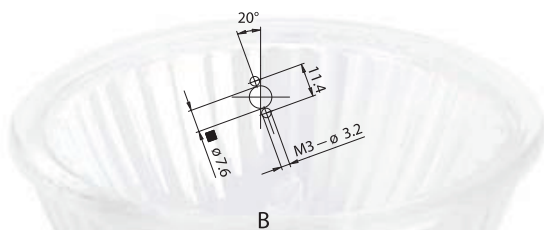
Lampholder:	GU5.3
Rated current:	8 A
Rated voltage:	24 V
Working temperature:	T 250°C
Connected cables	
working temperature:	T 105°÷ 250°C
In conformity to the standards:	UL 496
Approval marks:	UR

- Steatite body.
Double contacts in special alloy.
Back closing plate in PPS.
Stainless steel retaining springs for lamp, width 12 mm for P69L, width 6 mm for P69.
- Weight of the lampholder in standard execution (with cables L = 15 cm): 10 g.

Single-conductor flexible connecting cables crimped to the lampholder:

Insulation	T in °C	Conduct.	Available voltage and AWG		
			300V	600V	18AWG
Silicone <i>Single insulation</i>	200	CuSn		•	•
FEP <i>Single insulation</i>	200	CuNi	•	•	•
PTFE <i>Single insulation</i>	250	CuNi	•	•	•

- Indications to fix the lampholder on structures.



- B - Back fixing
- Suggested minimum dimension for cables passage

- Fixing of the lampholder by holes diameter 3,2 mm center distance 11,4 mm (if M3 screws are used, the diameter of the head must be less than 5,5 mm).



FOR VERY LOW TENSION 12 - 24V

P69-

1992



Lampholder:

Rated voltage:
Rated current:
Working temperature:
Connected cables
working temperature:
Protection grade:
In conformity to the standards:

GU5.3
24 V
8 A
T 250°C
T 90° ÷ 250°C
IP20
EN 60838-1*

Approval marks:

ENEC 03 (only for art. P69L)
CQC

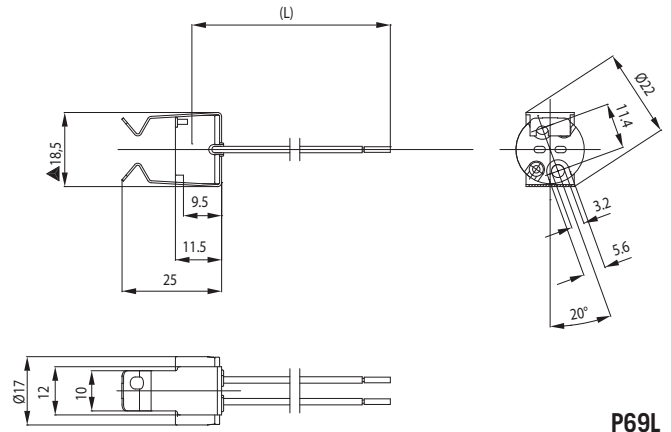


P69L: lampholder with lamp retaining spring, width 12 mm.

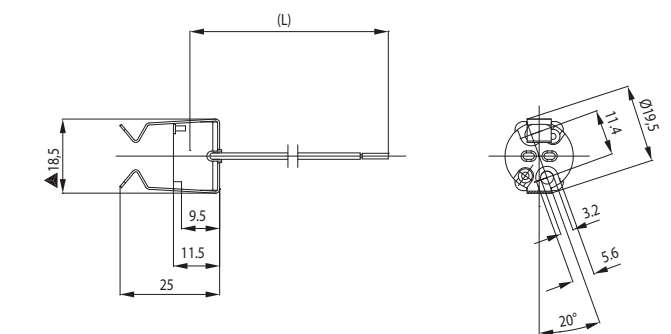
P69: lampholder with lamp retaining spring, width 6 mm.

Single-conductor flexible connecting cables crimped to the lampholder:

Insulation	T in °C	Conduct.	Available sections in mm ²			
			0,50	0,75	1,00	1,50
Silicone Single insulation	180	CuSn	•	•	•	
Silicone+glass-braid Single insulation	180	CuSn	•	•		
FEP Single insulation	180	CuSn	•	•	•	•
PTFE Single insulation	180	CuSn	•	•	•	•
PTFE Single insulation	250	CuNi	•	•	•	•
PFA Single insulation	260	CuNi	•	•	•	



P69L

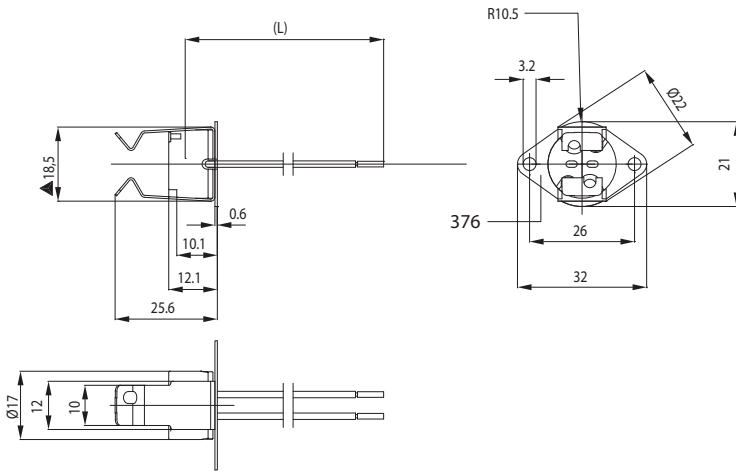


P69

★ The article complies with all requirements of standard EN 60838-1(1994) with exception to the dimension 6 mm, which in the standard EN 60061-2, data sheet 7005-109-1 (quote "M") is prescribed to be from 10 to 13 mm.

▲ Dimension without inserted lamp in the lampholder

P69LD-P69D

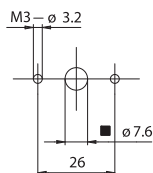


▲ Dimension without inserted lamp in the lampholder

P69LD: lampholder P69L with plate assembled under the lamp retaining spring (art. 375).

P69D: version with spring width 6 mm (without ENEC approval).

- Weight of the lampholder in standard execution: 10 g.
- Indications to fix the lampholder on structures.



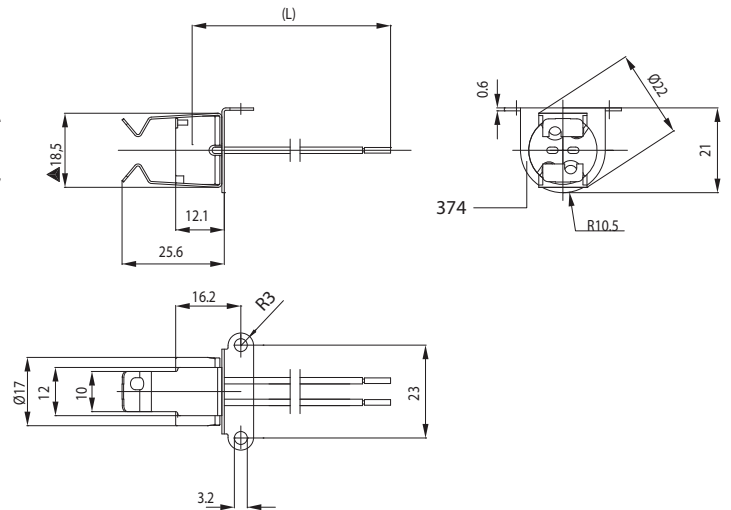
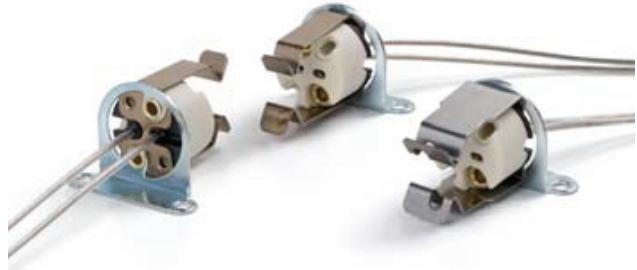
B

B - Back fixing

■ Suggested minimum dimension for cables passage

- Fixing of the lampholder by plate holes diameter 3,2 mm with center distance 26 mm.

P69LV-P69V

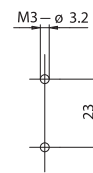


▲ Dimension without inserted lamp in the lampholder

P69LV: lampholder P69L with 90° bracket assembled under the lamp retaining spring (art. 374).

P69V: version with spring width 6 mm (without ENEC approval).

- Weight of the lampholder in standard execution: 10 g.
- Indications to fix the lampholder on structures.

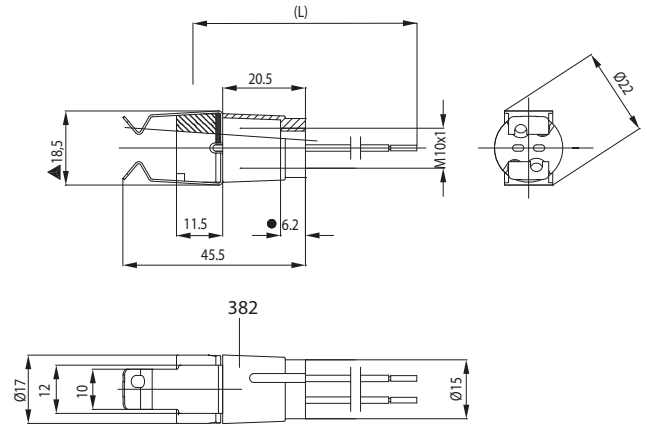
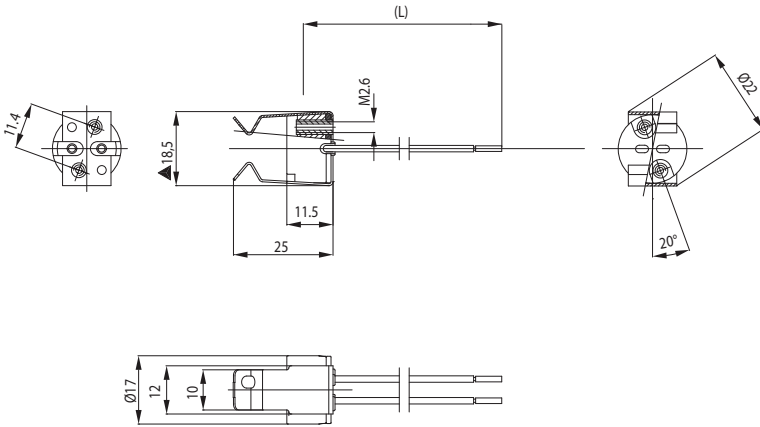


- Fixing of the lampholder by square holes diameter 3,2 mm with center distance 23 mm.

P69LF-P69F



P69LR-P69R



▲ Dimension without inserted lamp in the lampholder

▲ Dimension without inserted lamp in the lampholder
● Thread depth

P69LF: lampholder P69L with threaded bushes M2,6 inserted in the fixing holes, with center distance 11,4 mm (useful for back-fixing of the lampholder).

P69LR: lampholder P69L white zinc-plated zamak adapter, height 20,5 mm, threaded hole M10 x1 bordered to the steatite body (art. 382A).

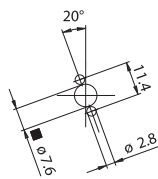
P69F: version with spring width 6 mm (without ENEC approval).

P69R: version with spring width 6 mm (without ENEC approval).

- Weight of the lampholder in standard execution: 10 g.
- Indications to fix the lampholder on structures.

P69LRZ - P69RZ: versions with adapter with M3 dowel without head for nipple block.

- Weight of the lampholder in standard execution: 20 g.



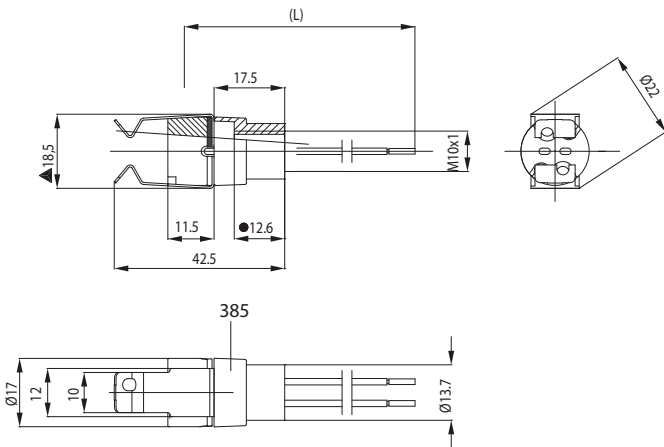
B

B - Back fixing

- Suggested minimum dimension for cables passage

- Fixing on threaded tubes or nipples.

P69LI-P69I



▲ Dimension without inserted lamp in the lampholder
● Thread depth

P69LI: lampholder P69L with white zinc-plated zamak adapter, height 17,5 mm, threaded hole M10 x1 fixed on the lampholder body by self-threading holes (art. 385).

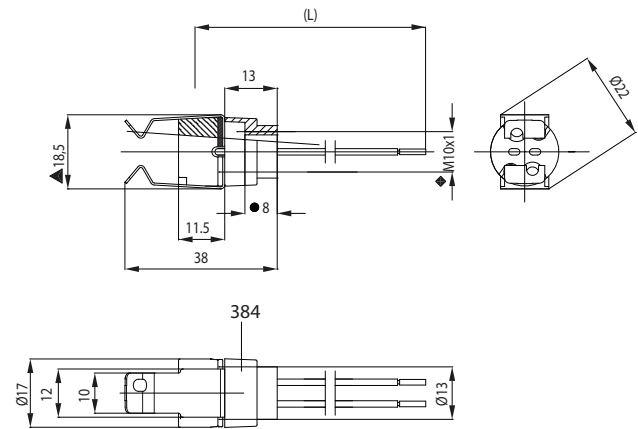
P69I: version with spring width 6 mm (without ENEC approval).

P69LIZ - P69IZ: P69LIZ - P69IZ: versions with adapter with M3 dowel without head for nipple block.

- Weight of the lampholder in standard execution: 20 g.

- Fixing on threaded tubes or nipples.

P69LK-P69K



▲ Dimension without inserted lamp in the lampholder
● Thread depth

P69LK: lampholder P69L with white zinc-plated zamak adapter, height 13 mm, threaded hole M10 x1 fixed on the lampholder body by self-threading holes (art. 384).

P69K: version with spring width 6 mm (without ENEC approval).

P69LN - P69N: ♦ versions with adapter M8 x1.

P69LKZ - P69KZ - P69LNZ - P69NZ: versions with adapter with M3 dowel without head for nipple block.

- Weight of the lampholder in standard execution: 20 g.

- Fixing on threaded tubes or nipples.