

# FOR VERY LOW TENSION 12 - 24V

## P72-

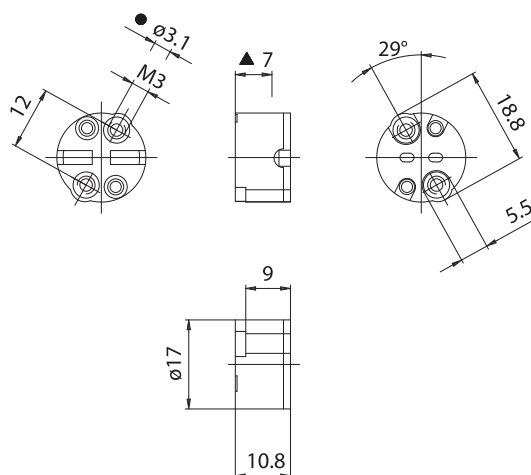
**Lampholder:** G6.35 - GY6.35

Rated voltage: 24 V  
Rated current: 8 A  
Working temperature: T 210°C  
Connected cables working temperature: T 90°÷ 250°C  
Protection grade: IP20  
In conformity to the standards: EN 60838-1

Approval marks:

**P72:** version with contact bushes threaded M3.

**P72L:** ● version with contact bushes with through hole diameter 3,2mm.



▲ Lamp contacts reference plane

# LAMPHOLDER FOR INCANDESCENT HALOGEN LAMPS

## P72-

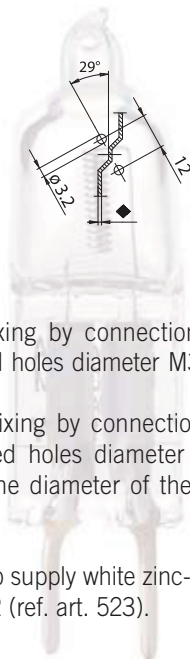


**Lampholder to be applied in structures under tension.**

<b>Lampholder:</b>	<b>G6.35 - GY6.35</b>
Rated current:	<b>8 A</b>
Rated voltage:	<b>24 V ★</b>
Working temperature:	<b>T 210°C</b>
Connected cables working temperature:	<b>T 105°÷ 250°C</b>
In conformity to the standards:	<b>UL 496 CSA 22.2 N.43</b>
Approval marks:	<b>cURus</b>

- Steatite body:  
Double contacts in special alloy.  
Back closing plate in PPS.  
Contact bushes in nickel-plated brass, thread M3 for article P72, or with through hole diameter 3,2 mm for article P72L.
- Weight of the lampholder in standard execution: 5 g.

- Indications to fix the lampholder on structures.



◆ Parte isolante

**P72:** lampholder fixing by connection to structures under tension, by threaded holes diameter M3, with center distance 12 mm.

**P72L:** lampholder fixing by connection to structures under tension, by threaded holes diameter 3,1 mm, with center distance 12 mm (the diameter of the screw head must be less than 5,5 mm).

Note: it is possible to supply white zinc-plated iron screws with cross head, M3 x 12 (ref. art. 523).

★ The UL version can also be used by rated voltage 120V, maximum power 100W.

In this case the distance between the metal parts, which are not insulated or of different polarizations, must be at least 1,2 mm and the lighting fixture must be approved by Underwriters Laboratories Inc. (UL).

