

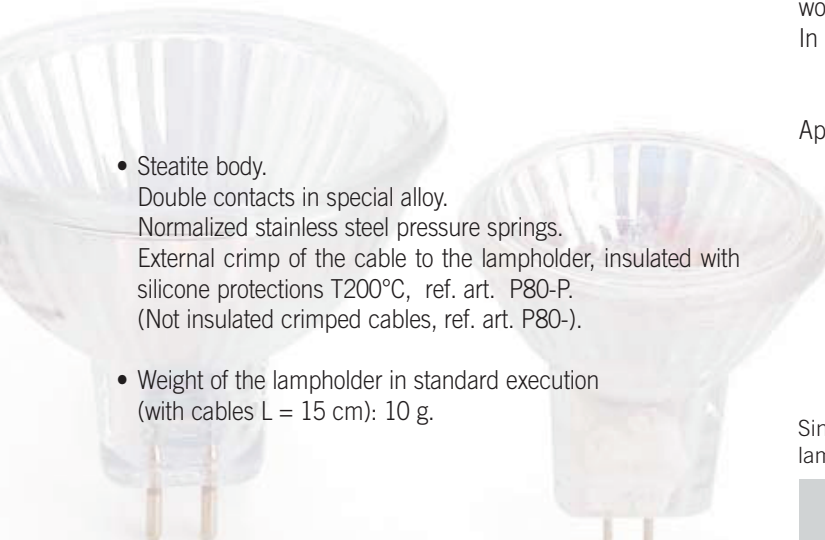
LAMPHOLDER FOR INCANDESCENT HALOGEN LAMPS

P80-



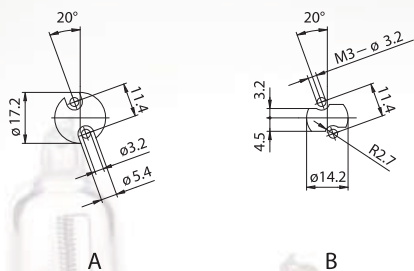
Current carrying capacity of cables:

- 6A for cables section 0,50 mm² or 20 AWG
- 8A for cables section 0,75 mm² or 18 AWG



- Steatite body.
Double contacts in special alloy.
Normalized stainless steel pressure springs.
External crimp of the cable to the lampholder, insulated with silicone protections T200°C, ref. art. P80-P.
(Not insulated crimped cables, ref. art. P80-).
- Weight of the lampholder in standard execution (with cables L = 15 cm): 10 g.

- Indications to fix the lampholder on structures.



- A - Front fixing B - Back fixing

- Lampholder fixing by holes diameter 3,2 mm, with center distance 11,4 mm (if M3 screws are used, the diameter of the screw head must be less than 5,5 mm).

Lampholder:

G4 - GZ4 - GX5.3
G6.35 - GY6.35

Rated current:
Rated voltage:
Working temperature:
Connected cables
working temperature:
In conformity to the standards:

8 A
24 V
T 250°C
T 105° ÷ 250°C
UL 496
CSA 22.2 N.43

Approval marks:

UR
CSA

Single-conductor flexible connecting cables crimped to the lampholder:

Insulation	T in °C	Conduct.	Available voltage and AWG		
			300V	600V	18AWG
Silicone <i>Single insulation</i>	200	CuSn		•	•
Silicone+glass-braid <i>Single insulation</i>	200	CuSn		•	•
FEP <i>Single insulation</i>	200	CuNi	•	•	•
PTFE <i>Single insulation</i>	250	CuNi	•	•	•



FOR VERY LOW TENSION 12 - 24V

P80-

1984

Lampholder:

for P80P: **GZ4 - G5.3 - GX5.3 - (GU5.3) - GZ6.35***
 for P80BP: **G4 - G6.35 - GY6.35**

Rated voltage: **24 V**
 Rated current: **10 A**
 Working temperature: **T 350°C**
 Connected cables working temperature: **T 90° ÷ 250°C**
 Protection grade: **IP00**
 In conformity to the standards: **EN 60838-1**

Approval marks:

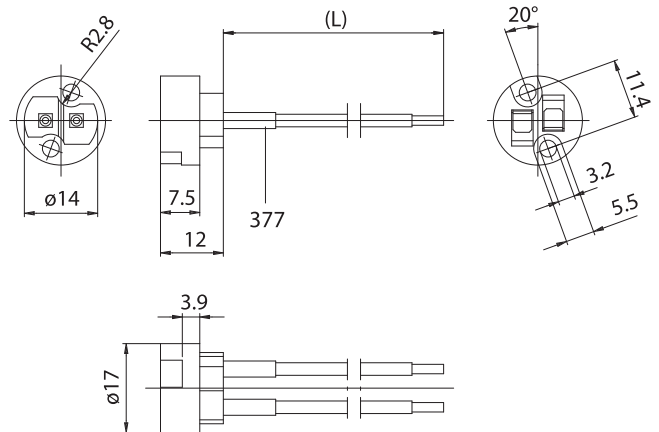


P80-P: lampholder with crimped cables insulated with silicone protections.

P80-: lampholder with crimped cables without silicone protections.

Single-conductor flexible connecting cables crimped to the lampholder:

Insulation	T in °C	Conduct.	Available sections in mm ²			
			0,50	0,75	1,00	1,50
Silicone Single insulation	180	CuSn	•	•	•	•
Silicone+glass-braid Single insulation	180	CuSn	•	•	•	•
FEP Single insulation	180	CuSn	•	•	•	•
PTFE Single insulation	180	CuSn	•	•	•	•
PTFE Single insulation	250	CuNi	•	•	•	•
PFA Single insulation	260	CuNi	•	•	•	•



*** Article P80P may be also used for lamps with base G4, G6.35 and GY6.35.**

This use can not be ENEC certified because the prescriptions regarding the dimensions to insert the lamp contacts in the lampholder are:

for G4 base maximum 7,4 mm

(EN 60061-2 norm, data sheet 7005-72-1);

for GX5.3 base minimum 6,78 mm

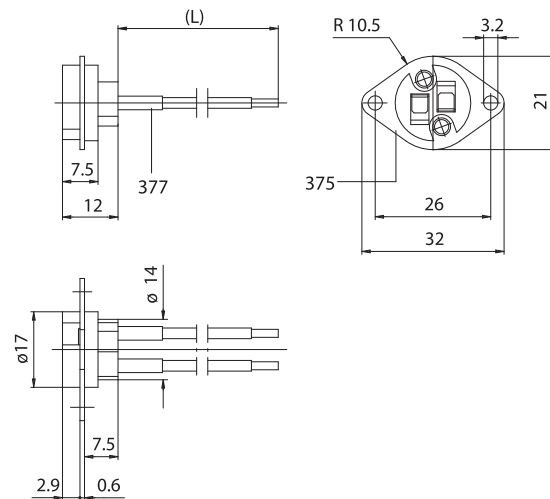
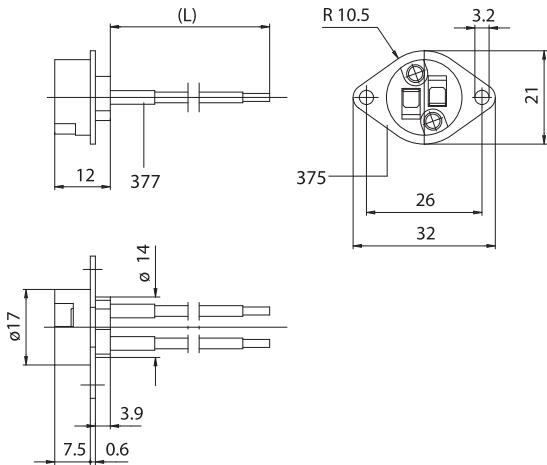
(Standard EN 60061-2, data sheet 7005-73A-3).



P80DP



P80GP



P80DP: lampholder P80P with plate assembled on the steatite body towards the cables (art. 375).

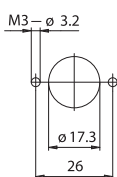
P80GP: lampholder P80P with plate assembled on the steatite body towards the lamp (art. 375).

P80D: lampholder version with crimped cables without silicone protections.

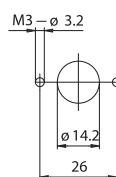
P80G: lampholder version with crimped cables without silicone protections.

- Weight of the lampholder in standard execution: 10 g.
- Indications to fix the lampholder on structures.

- Weight of the lampholder in standard execution: 10 g.
- Indications to fix the lampholder on structures.

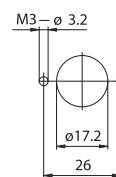


A



B

A - Front fixing B - Back fixing



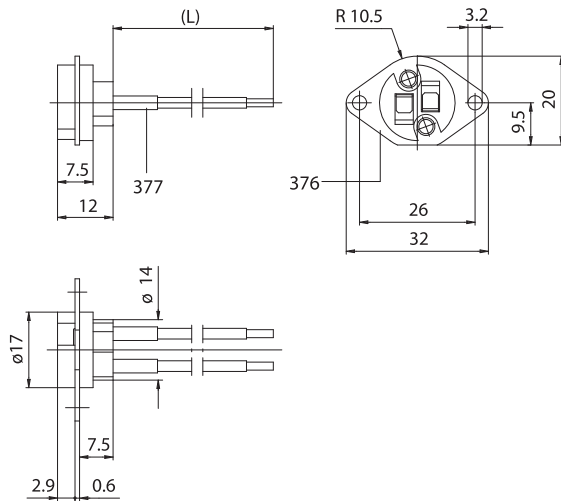
A

A - Front fixing

- Lampholder fixing by holes diameter 3,2 mm, with center distance 26 mm.

- Lampholder fixing by holes diameter 3,2 mm, with center distance 26 mm.

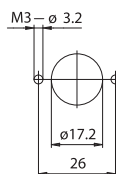
P80UP



P80UP: lampholder P80P with faceted plate assembled on the steatite body towards the lamp (art. 376).

P80U: lampholder version with crimped cables without silicone protections.

- Weight of the lampholder in standard execution: 10 g.
- Indications to fix the lampholder on structures.

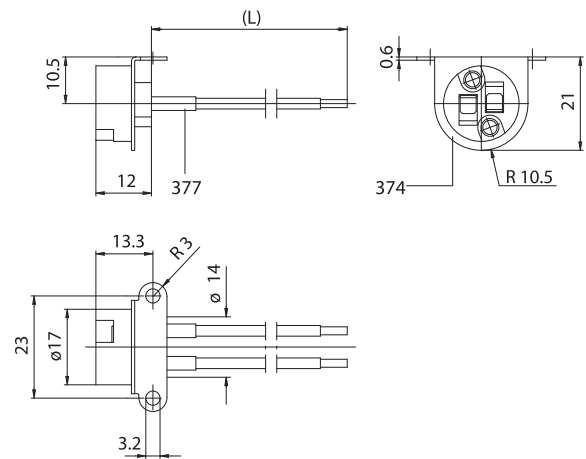


A

A - Front fixing

- Lampholder fixing by holes diameter 3,2 mm, with center distance 26 mm.

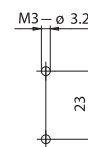
P80VP



P80VP: lampholder P80P with 90° bracket assembled on the steatite body towards the cables (art. 374).

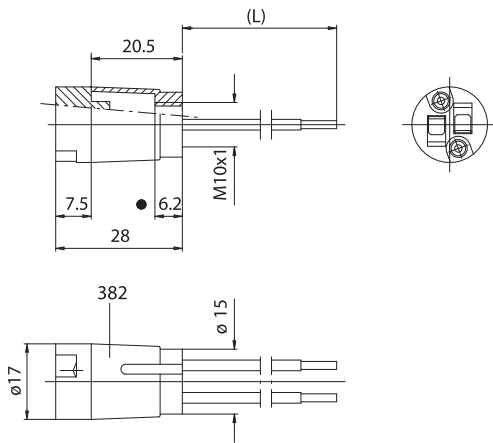
P80V: lampholder version with crimped cables without silicone protections.

- Weight of the lampholder in standard execution: 10 g.
- Indications to fix the lampholder on structures.



- Lampholder fixing by holes diameter 3,2 mm, with center distance 23 mm.

P80R



- Thread depth

P80R: lampholder P80 with white zinc-plated zamak adapter, height 20,5 mm, threaded hole M10 x1 bordered to the steatite body (art. 382).

P80RZ: version with adapter with M3 dowel to fix the threaded nipple.

- Weight of the lampholder in standard execution: 20 g.

- Fixing on threaded tubes or nipples M10 x1.